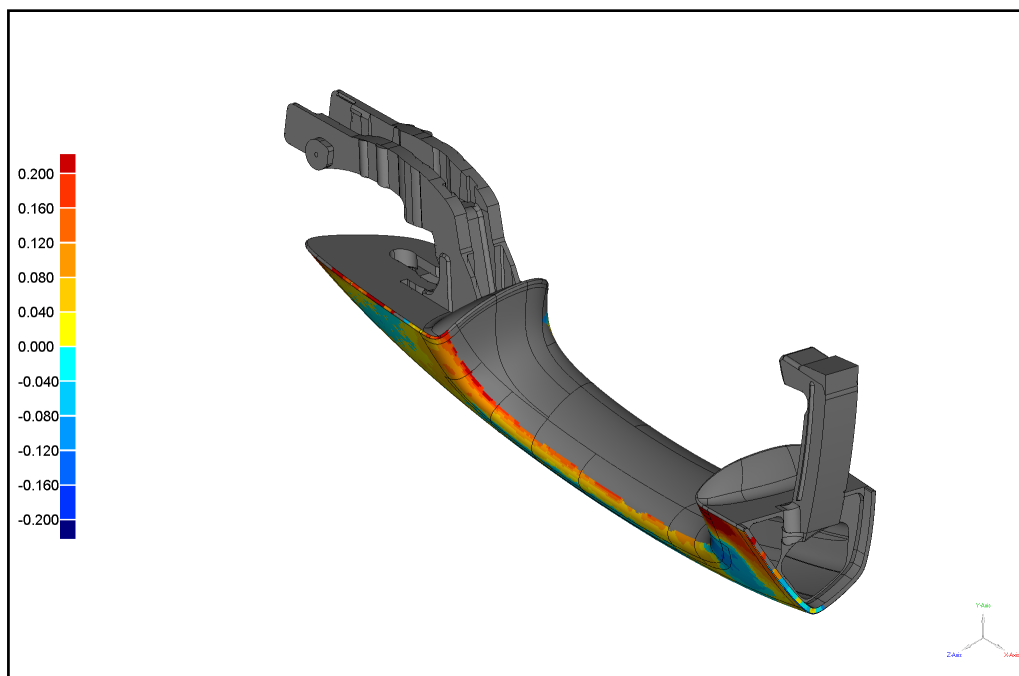


### Qualify Report

Date: 8/22/2013, 4:25 pm



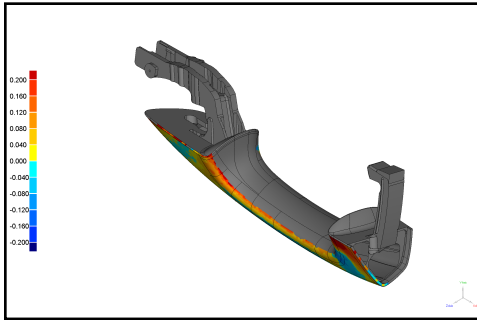
Part: SVW\_PQ35\_Front\_Left

### 3D Comparison Results

Reference Model	SVW_PQ35_Front_Left
Test Model	j2
# Data Points	139856

Tolerances	mm
Max Tol +	0.200
Min Tol +	0.000
Min Tol -	0.000
Max Tol -	-0.200

Deviation	mm
Max Dev +	0.472
Max Dev -	-0.234
Average +/-	0.069 / -0.043
Std Dev	0.072



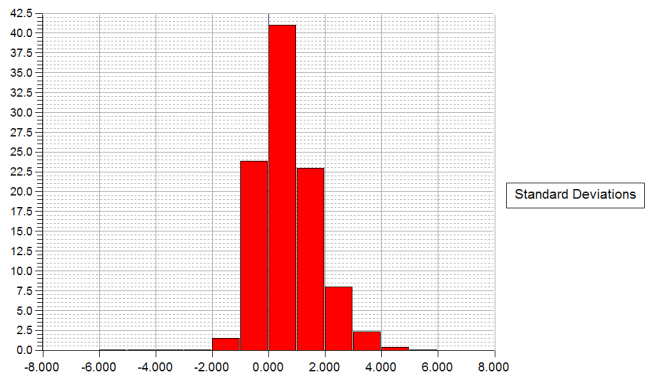
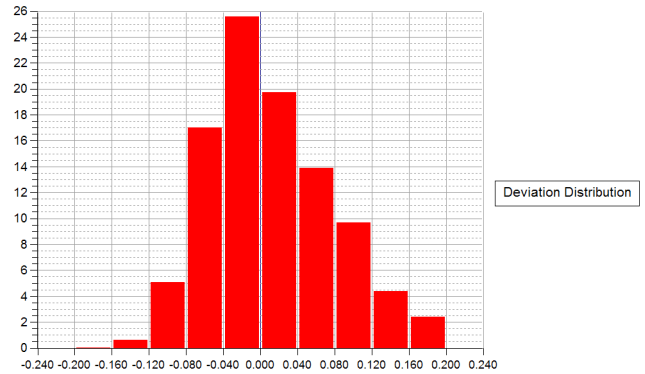
#### Percentage Deviations

>=Min	<Max	# Points	%
-0.200	-0.160	69	0.049
-0.160	-0.120	893	0.639
-0.120	-0.080	7072	5.057
-0.080	-0.040	23785	17.007
-0.040	0.000	35766	25.573
0.000	0.040	27600	19.735
0.040	0.080	19441	13.901
0.080	0.120	13532	9.676
0.120	0.160	6120	4.376
0.160	0.200	3346	2.392

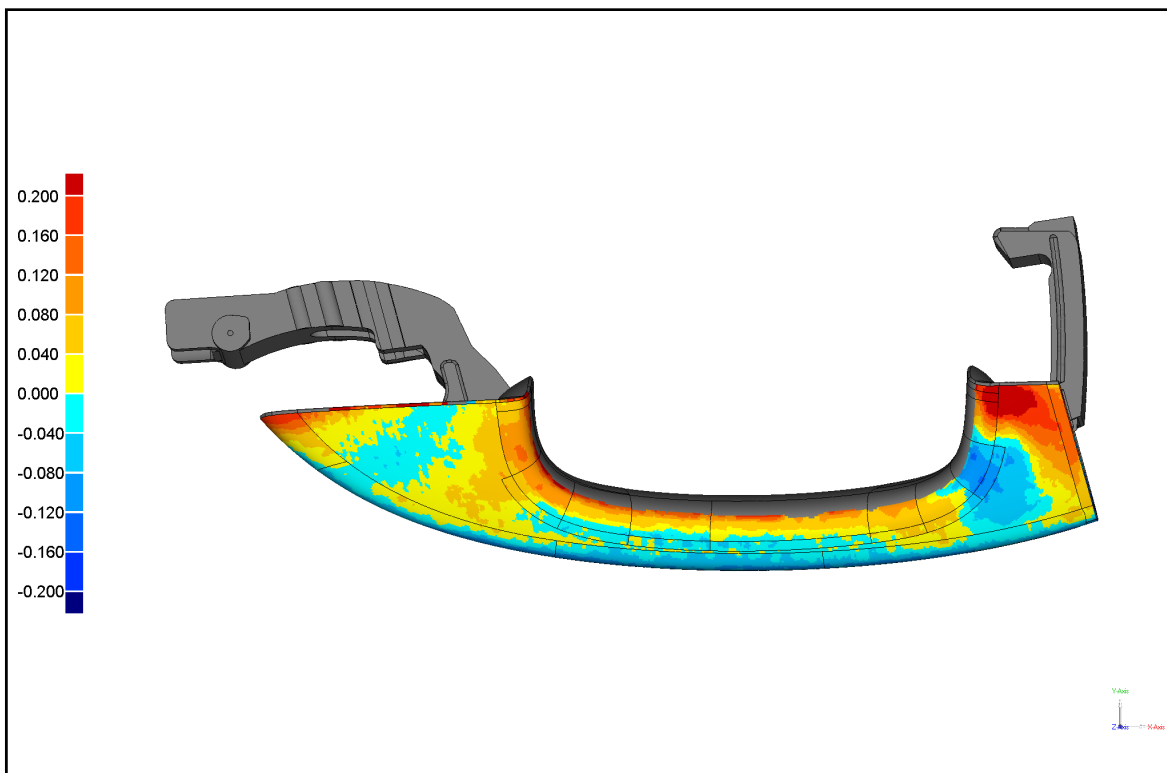
Out of Max Tol	2227	1.592
Out of Min Tol	5	0.004

#### Standard Deviations

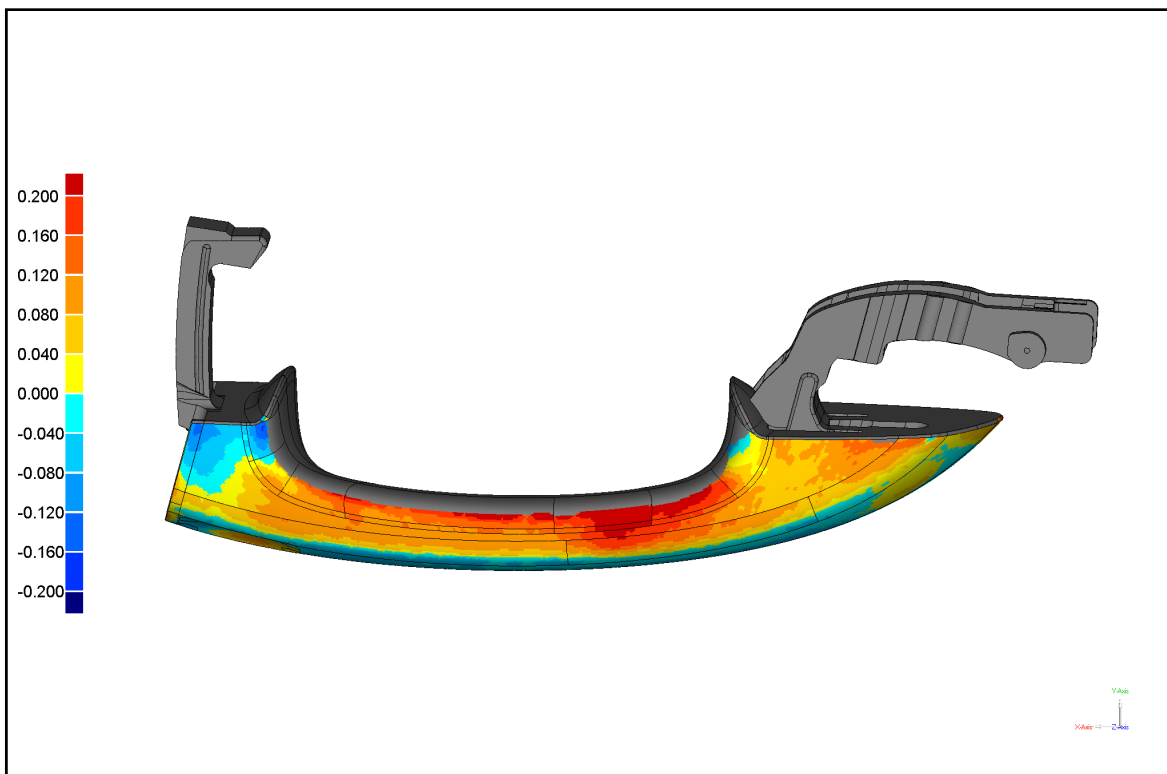
Distribution (+/-)	# Points	%
-6 * Std Dev	0	0.000
-5 * Std Dev	0	0.000
-4 * Std Dev	0	0.000
-3 * Std Dev	24	0.017
-2 * Std Dev	2084	1.490
-1 * Std Dev	33317	23.822
1 * Std Dev	57362	41.015
2 * Std Dev	32087	22.943
3 * Std Dev	11205	8.012
4 * Std Dev	3252	2.325
5 * Std Dev	468	0.335
6 * Std Dev	53	0.038



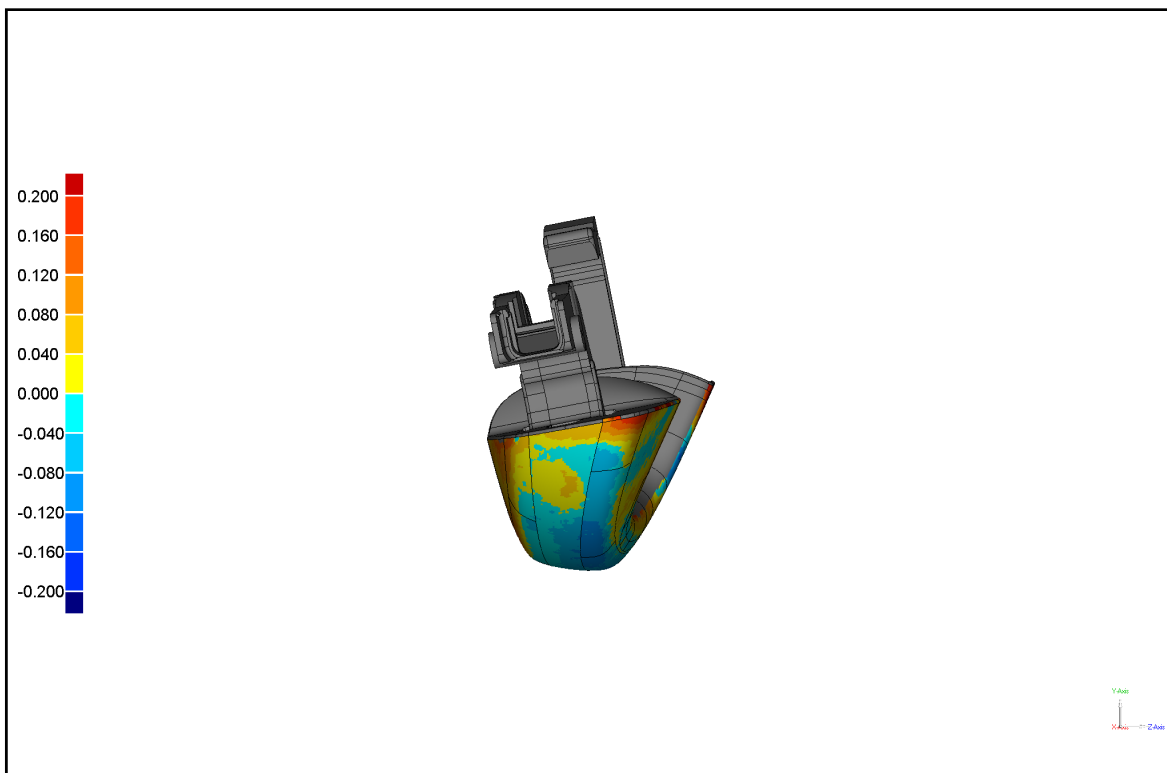
### Predefined: Front



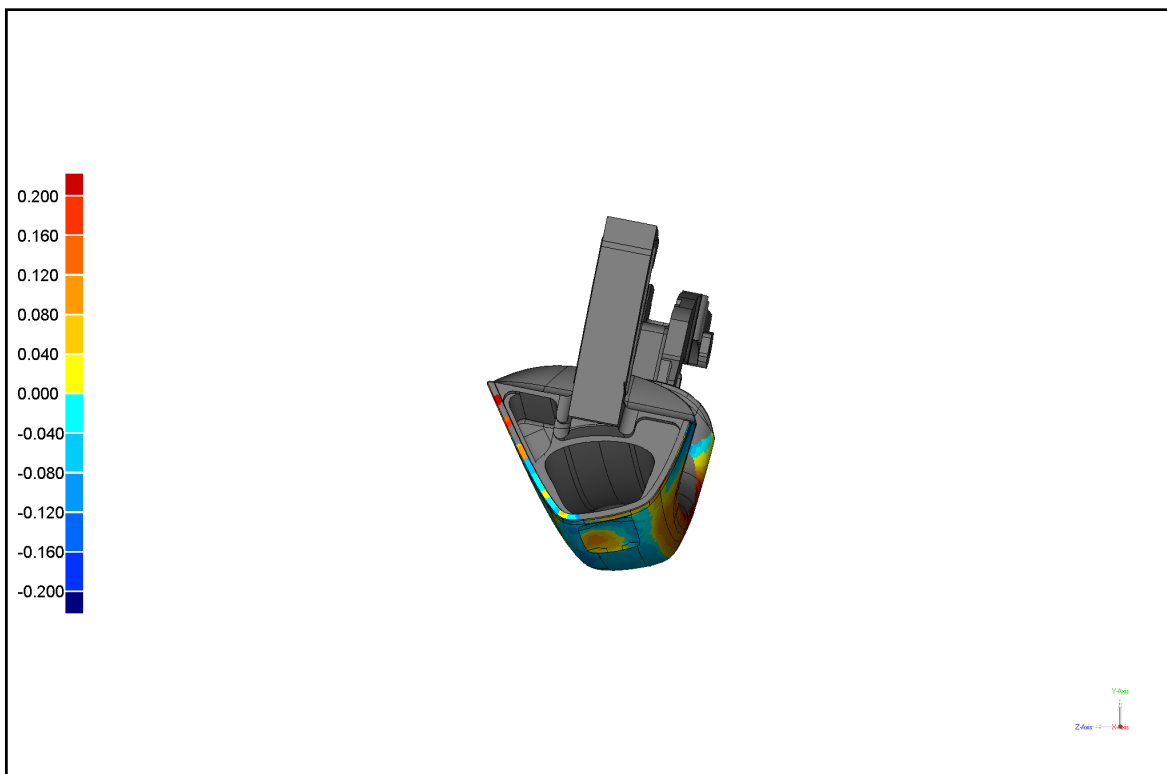
### Predefined: Back



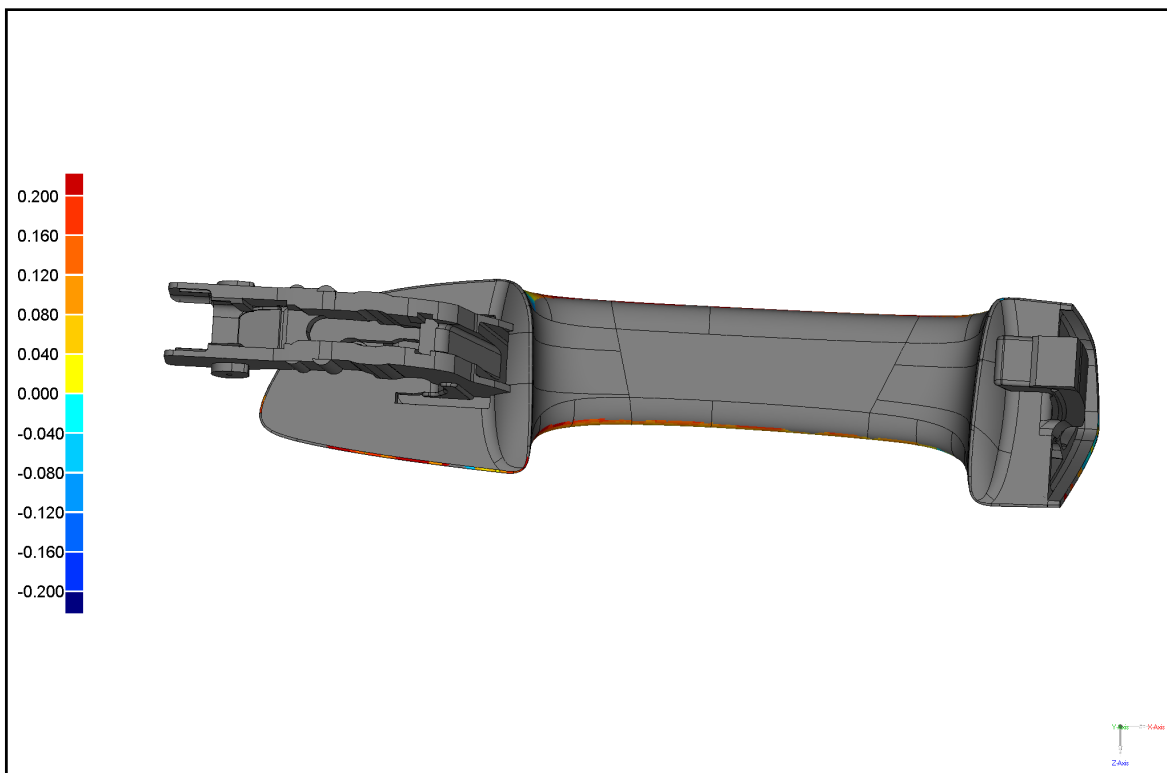
### Predefined: Left



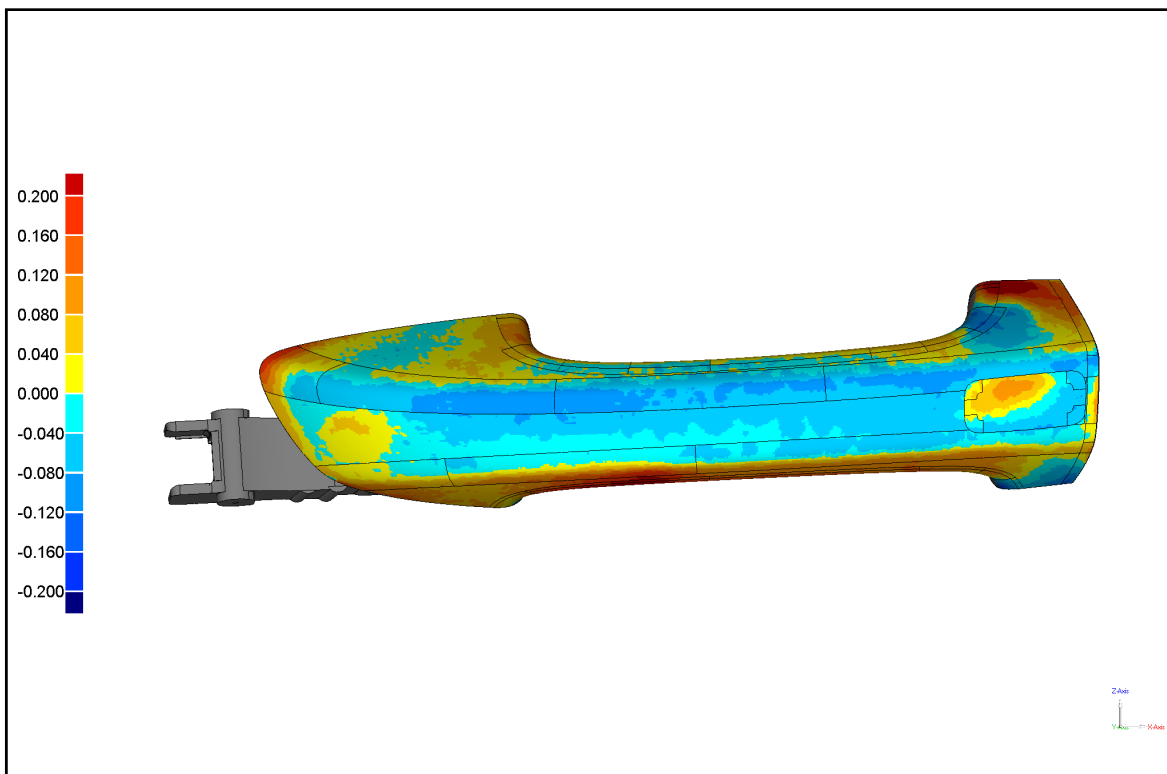
### Predefined: Right



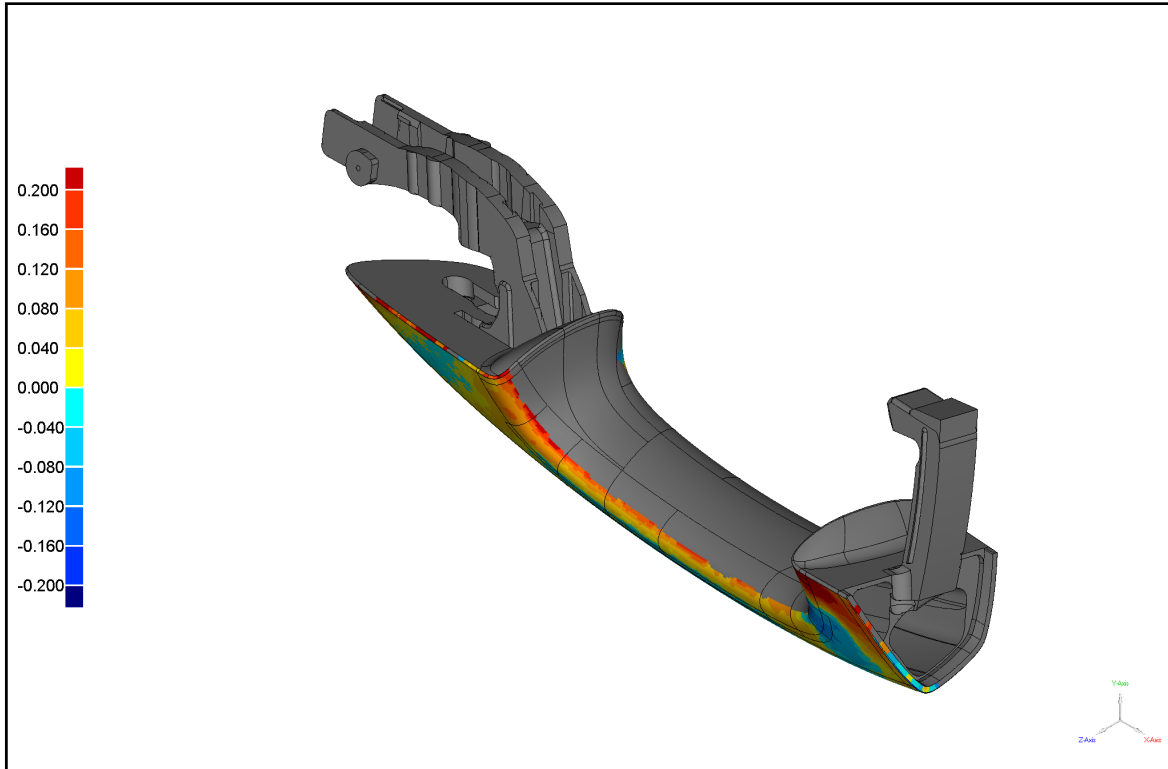
### Predefined: Top



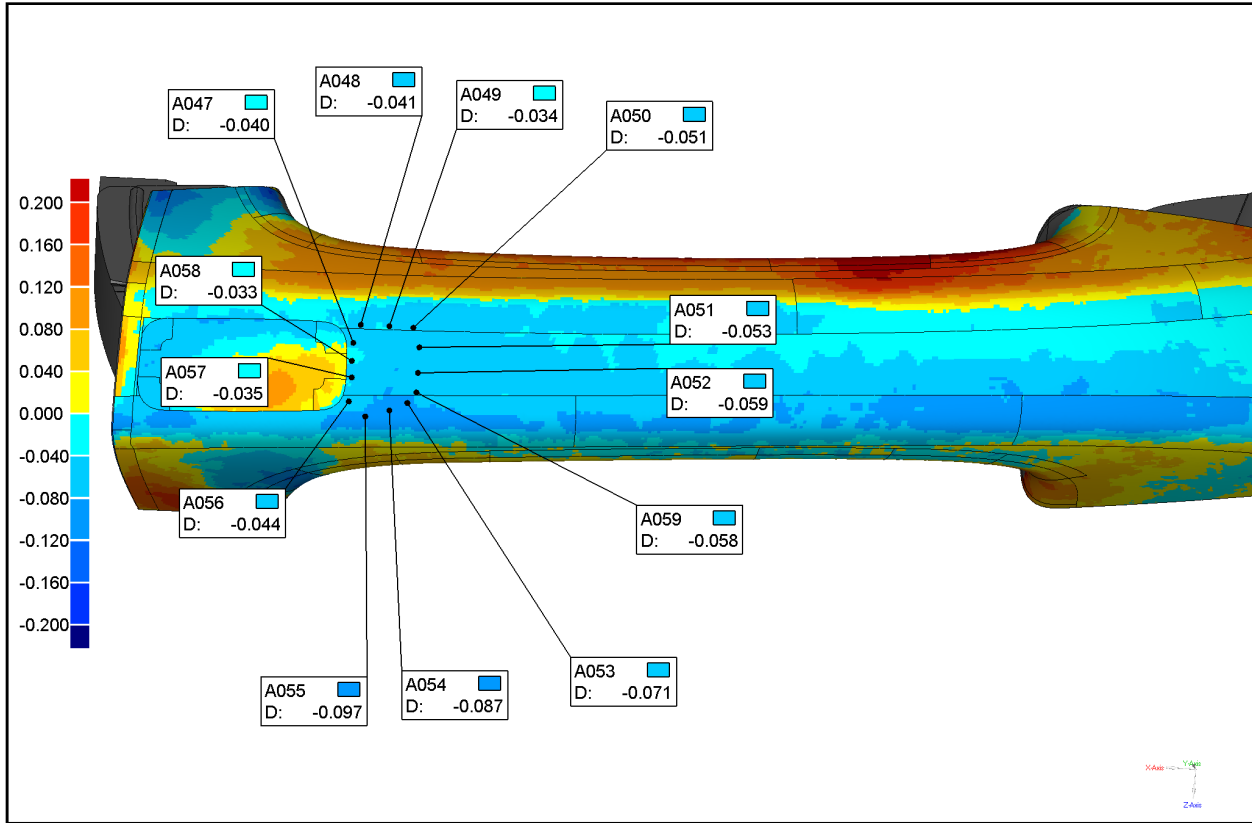
### Predefined: Bottom



### Predefined: Isometric



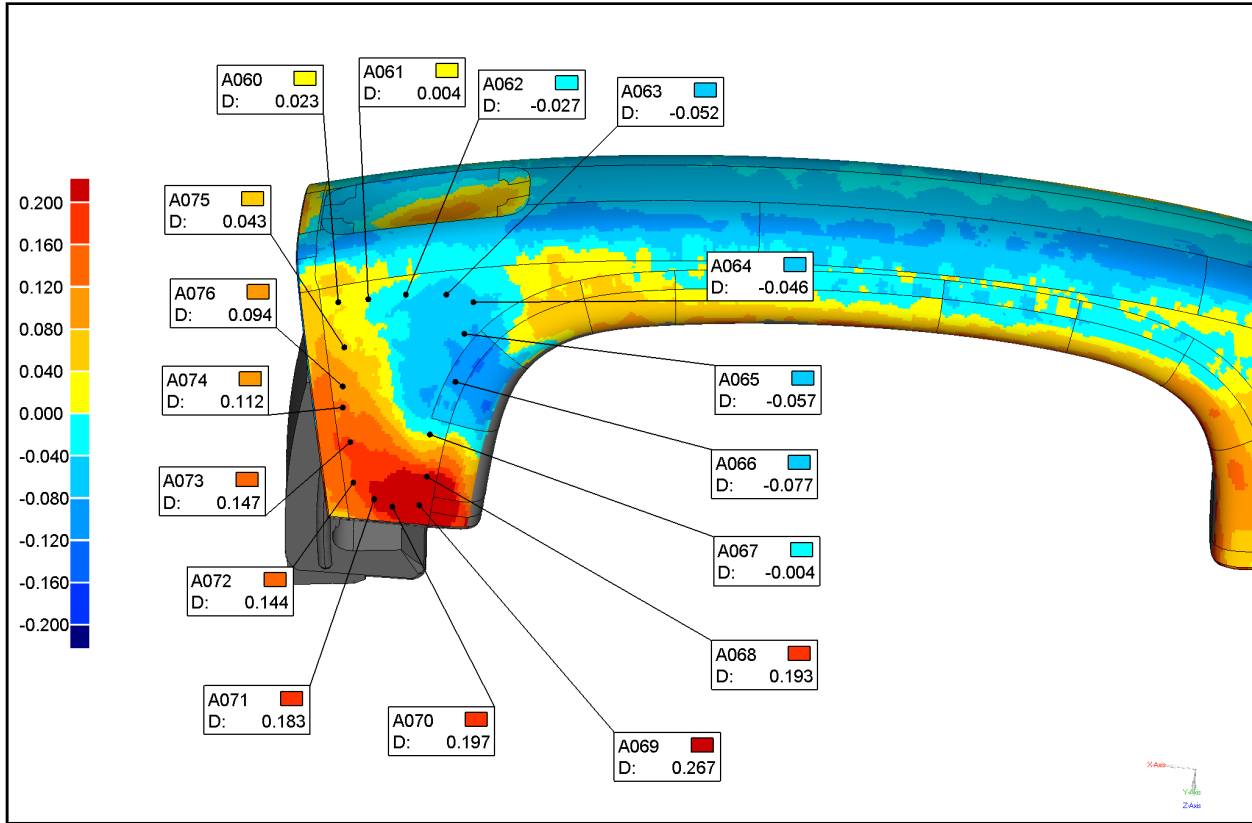
Annotated: Annotation View 1



Units: mm

Name	Dev	Status	Tol +	Tol -	Ref X	Ref Y	Ref Z	Dev Radius	Dev X	Dev Y	Dev Z	Test X	Test Y	Test Z
A047	-0.040				1650.350	-893.413	519.206	1.000	-0.007	0.038	0.009	1650.343	-893.374	519.215
A048	-0.041				1649.495	-892.980	516.843	1.000	-0.008	0.039	0.012	1649.487	-892.941	516.855
A049	-0.034				1645.819	-893.631	516.709	1.000	-0.006	0.032	0.009	1645.813	-893.599	516.718
A050	-0.051				1642.717	-894.146	516.635	1.000	-0.008	0.049	0.014	1642.708	-894.097	516.648
A051	-0.053				1641.819	-894.856	519.046	1.000	-0.008	0.052	0.010	1641.811	-894.804	519.056
A052	-0.059				1641.819	-895.381	522.347	1.000	-0.008	0.058	0.007	1641.810	-895.323	522.354
A053	-0.071				1642.905	-895.539	526.387	1.000	-0.010	0.070	-0.000	1642.895	-895.468	526.387
A054	-0.087				1645.150	-895.223	527.578	1.000	-0.012	0.086	-0.003	1645.139	-895.137	527.574
A055	-0.097				1648.174	-894.713	528.651	1.000	-0.015	0.095	-0.013	1648.160	-894.618	528.638
A056	-0.044				1650.462	-894.407	526.831	1.000	-0.007	0.044	0.002	1650.455	-894.364	526.833
A057	-0.035				1650.288	-894.175	523.659	1.000	-0.006	0.035	0.004	1650.282	-894.140	523.663
A058	-0.033				1650.417	-893.845	521.527	1.000	-0.006	0.032	0.005	1650.412	-893.814	521.533
A059	-0.058				1641.843	-895.621	524.908	1.000	-0.008	0.057	0.003	1641.835	-895.564	524.911

Annotated: Annotation View 2

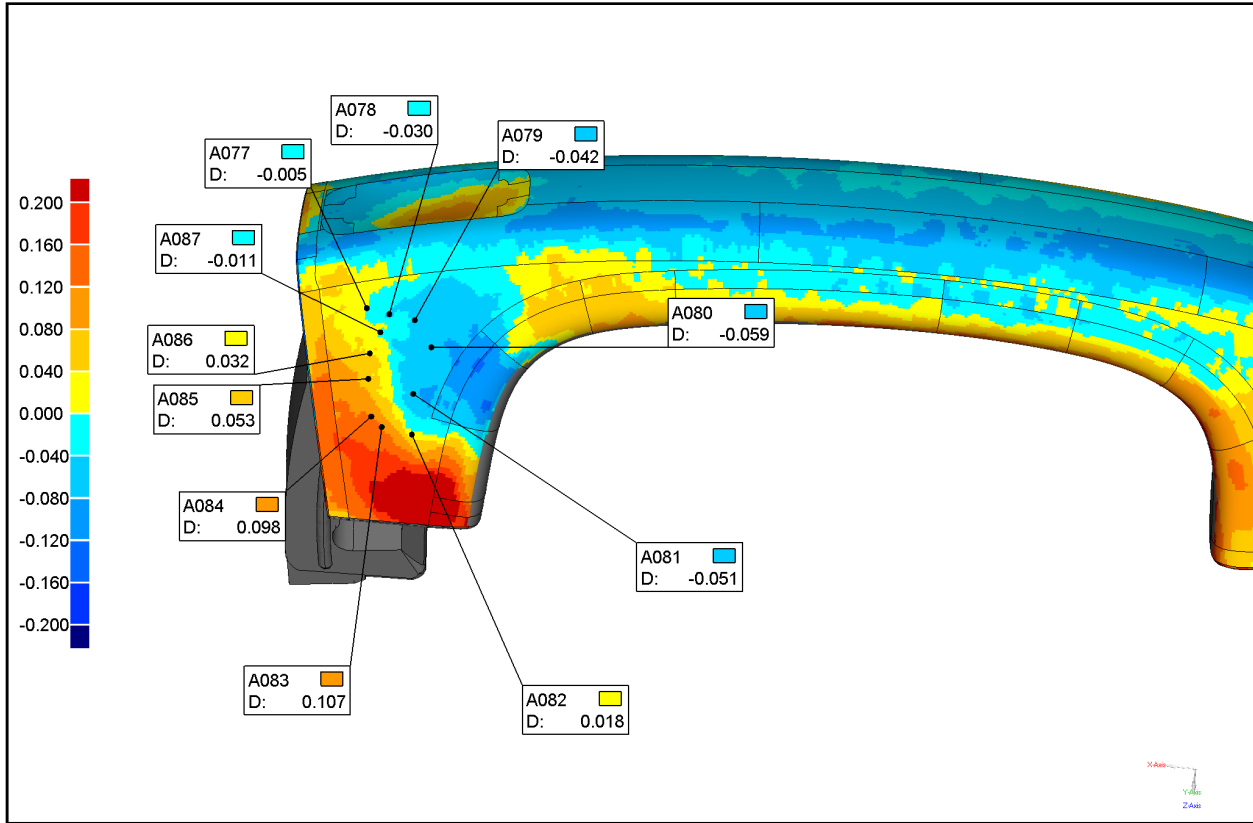


Units: mm

Name	Dev	Status	Tol +	Tol -	Ref X	Ref Y	Ref Z	Dev Radius	Dev X	Dev Y	Dev Z	Test X	Test Y	Test Z
A060	0.023				1674.186	-883.547	537.508	1.000	0.001	-0.012	0.020	1674.187	-883.559	537.528
A061	0.004				1670.345	-884.414	537.179	1.000	0.000	-0.002	0.004	1670.346	-884.416	537.183
A062	-0.027				1665.557	-885.555	536.686	1.000	-0.001	0.014	-0.023	1665.556	-885.541	536.663
A063	-0.052				1660.305	-886.212	536.459	1.000	-0.001	0.027	-0.044	1660.304	-886.185	536.414
A064	-0.046				1656.680	-885.780	536.797	1.000	-0.001	0.023	-0.039	1656.680	-885.757	536.757
A065	-0.057				1657.329	-881.968	538.891	1.000	-0.000	0.027	-0.051	1657.328	-881.941	538.841
A066	-0.077				1657.699	-876.028	541.829	1.000	0.000	0.033	-0.070	1657.699	-875.995	541.760
A067	-0.004				1660.130	-869.154	544.994	1.000	0.000	0.002	-0.004	1660.130	-869.152	544.990
A068	0.193				1659.815	-863.851	547.334	1.000	-0.002	-0.077	0.176	1659.813	-863.928	547.510
A069	0.267				1660.310	-860.157	548.944	1.000	-0.003	-0.106	0.245	1660.307	-860.263	549.189
A070	0.197				1663.788	-859.578	549.230	1.000	-0.002	-0.078	0.181	1663.786	-859.657	549.411
A071	0.183				1666.249	-860.257	548.953	1.000	-0.001	-0.073	0.168	1666.248	-860.331	549.121
A072	0.144				1669.249	-862.013	548.194	1.000	-0.000	-0.058	0.132	1669.249	-862.071	548.326
A073	0.147				1670.316	-867.023	545.963	1.000	0.001	-0.060	0.134	1670.317	-867.083	546.096
A074	0.112				1671.866	-871.175	544.050	1.000	0.001	-0.047	0.102	1671.867	-871.222	544.152
A075	0.043				1672.668	-878.467	540.461	1.000	0.001	-0.020	0.039	1672.669	-878.487	540.500
A076	0.094				1672.216	-873.747	542.828	1.000	0.001	-0.041	0.085	1672.217	-873.788	542.913



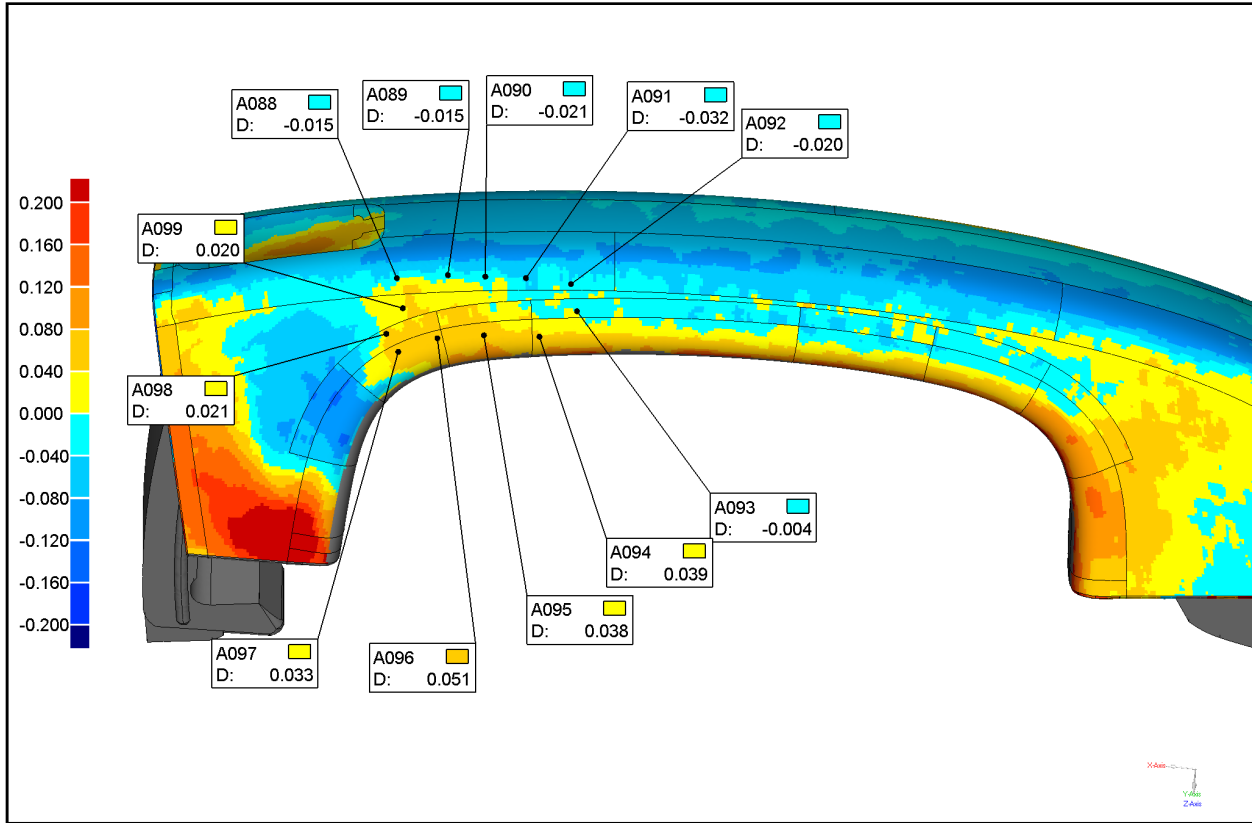
Annotated: Annotation View 3



Units: mm

Name	Dev	Status	Tol +	Tol -	Ref X	Ref Y	Ref Z	Dev Radius	Dev X	Dev Y	Dev Z	Test X	Test Y	Test Z
A077	-0.005				1670.393	-883.378	537.811	1.000	-0.000	0.002	-0.004	1670.393	-883.375	537.807
A078	-0.030				1667.377	-883.073	538.106	1.000	-0.001	0.015	-0.026	1667.376	-883.059	538.080
A079	-0.042				1663.972	-882.794	538.357	1.000	-0.001	0.021	-0.037	1663.971	-882.773	538.320
A080	-0.059				1661.386	-879.858	539.950	1.000	-0.001	0.027	-0.052	1661.385	-879.832	539.897
A081	-0.051				1662.947	-873.930	542.822	1.000	-0.000	0.022	-0.046	1662.947	-873.908	542.776
A082	0.018				1662.465	-868.889	545.125	1.000	-0.000	-0.007	0.016	1662.465	-868.897	545.142
A083	0.107				1666.482	-869.371	544.913	1.000	0.000	-0.044	0.098	1666.482	-869.416	545.011
A084	0.098				1668.019	-870.512	544.388	1.000	0.000	-0.041	0.089	1668.019	-870.553	544.478
A085	0.053				1669.033	-875.069	542.238	1.000	0.001	-0.023	0.048	1669.034	-875.093	542.285
A086	0.032				1669.262	-878.172	540.696	1.000	0.001	-0.015	0.029	1669.263	-878.187	540.725
A087	-0.011				1668.248	-880.834	539.326	1.000	-0.000	0.005	-0.010	1668.248	-880.828	539.316

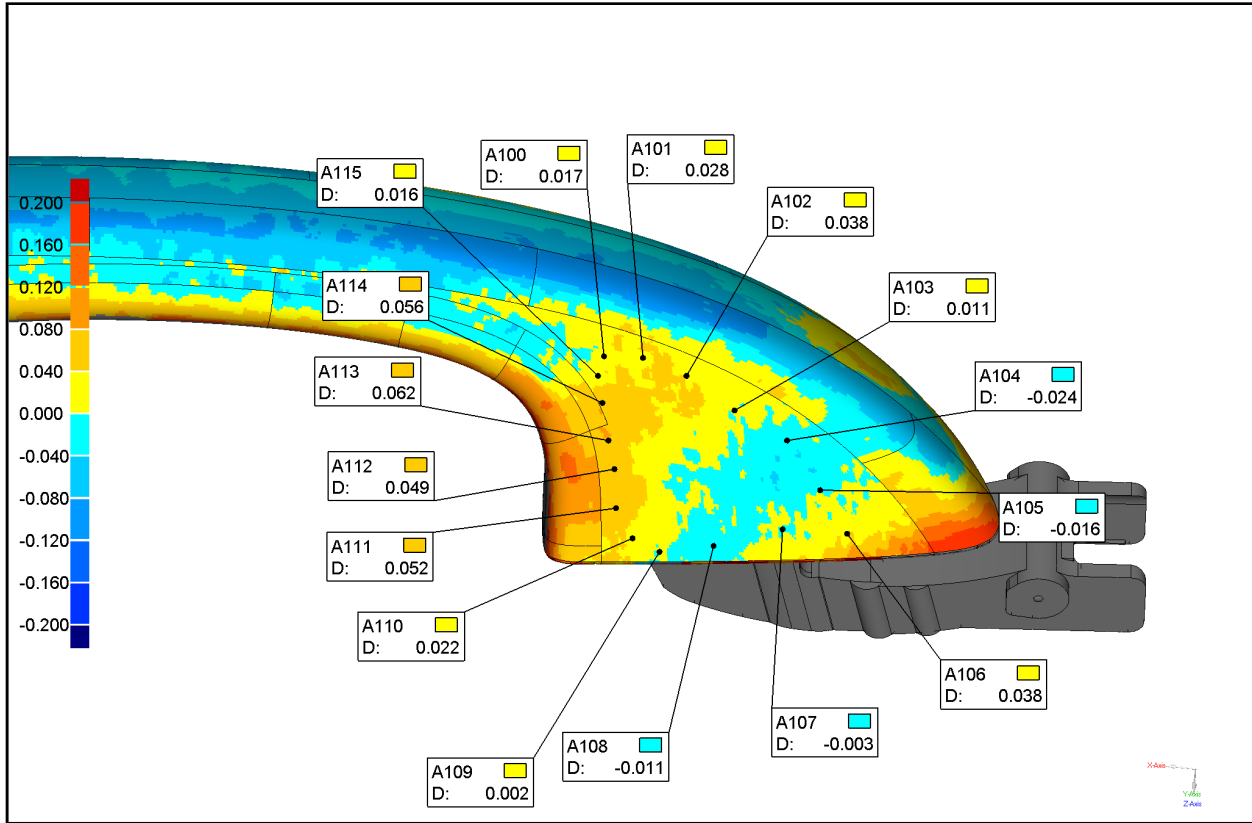
Annotated: Annotation View 4



Units: mm

Name	Dev	Status	Tol +	Tol -	Ref X	Ref Y	Ref Z	Dev Radius	Dev X	Dev Y	Dev Z	Test X	Test Y	Test Z
A088	-0.015				1648.811	-892.714	532.240	1.000	-0.001	0.010	-0.011	1648.811	-892.704	532.229
A089	-0.015				1642.228	-893.677	531.645	1.000	-0.000	0.010	-0.011	1642.228	-893.667	531.634
A090	-0.021				1637.333	-893.991	531.487	1.000	-0.000	0.014	-0.015	1637.333	-893.977	531.471
A091	-0.032				1632.048	-894.305	531.259	1.000	-0.000	0.020	-0.025	1632.048	-894.285	531.234
A092	-0.020				1626.111	-894.172	531.306	1.000	0.000	0.012	-0.016	1626.111	-894.160	531.290
A093	-0.004				1624.937	-891.329	533.232	1.000	0.000	0.002	-0.003	1624.937	-891.327	533.229
A094	0.039				1629.432	-887.918	535.140	1.000	-0.003	-0.010	0.038	1629.429	-887.928	535.178
A095	0.038				1636.671	-887.544	535.637	1.000	-0.001	-0.015	0.034	1636.669	-887.559	535.671
A096	0.051				1642.671	-886.687	536.259	1.000	-0.001	-0.022	0.046	1642.670	-886.709	536.305
A097	0.033				1647.539	-884.650	537.420	1.000	-0.001	-0.014	0.030	1647.538	-884.664	537.450
A098	0.021				1649.366	-886.601	536.389	1.000	0.000	-0.010	0.018	1649.366	-886.611	536.406
A099	0.020				1647.597	-889.661	534.527	1.000	0.000	-0.011	0.016	1647.597	-889.672	534.543

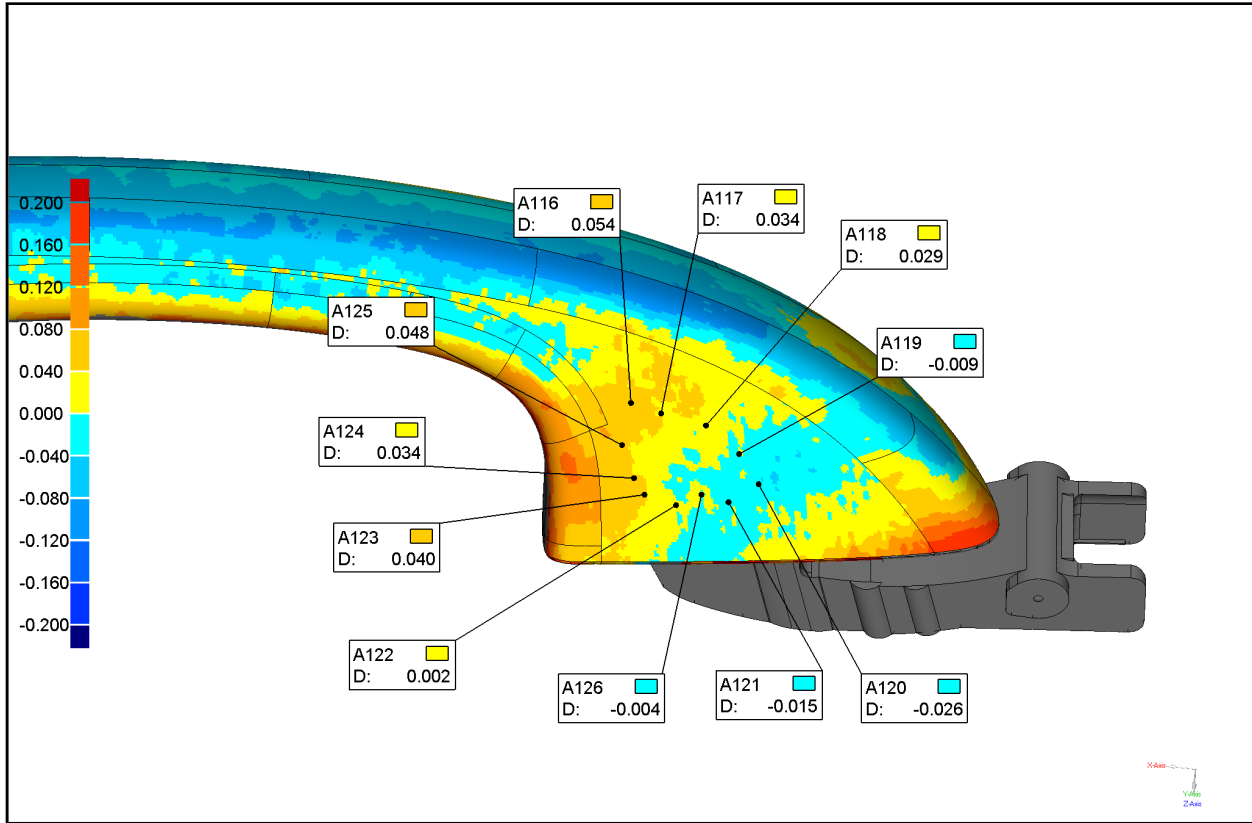
Annotated: Annotation View 5



Units: mm

Name	Dev	Status	Tol +	Tol -	Ref X	Ref Y	Ref Z	Dev Radius	Dev X	Dev Y	Dev Z	Test X	Test Y	Test Z
A100	0.017				1551.939	-886.189	530.673	1.000	-0.002	-0.009	0.015	1551.937	-886.198	530.687
A101	0.028				1546.837	-886.143	530.033	1.000	-0.003	-0.015	0.024	1546.833	-886.158	530.056
A102	0.038				1540.904	-884.209	530.363	1.000	-0.005	-0.019	0.032	1540.899	-884.228	530.395
A103	0.011				1534.138	-880.343	531.610	1.000	-0.001	-0.006	0.010	1534.137	-880.348	531.620
A104	-0.024				1526.851	-876.934	532.391	1.000	0.003	0.012	-0.021	1526.855	-876.923	532.370
A105	-0.016				1521.812	-871.135	534.690	1.000	0.002	0.007	-0.014	1521.814	-871.128	534.676
A106	0.038				1517.642	-865.976	536.677	1.000	-0.005	-0.017	0.034	1517.637	-865.993	536.711
A107	-0.003				1526.112	-866.350	537.688	1.000	0.000	0.001	-0.002	1526.113	-866.349	537.685
A108	-0.011				1534.849	-864.058	539.841	1.000	0.001	0.005	-0.010	1534.850	-864.053	539.831
A109	0.002				1541.789	-863.043	541.062	1.000	-0.000	-0.001	0.002	1541.788	-863.044	541.064
A110	0.022				1545.507	-864.549	540.754	1.000	-0.002	-0.009	0.020	1545.505	-864.558	540.773
A111	0.052				1548.107	-868.133	539.366	1.000	-0.005	-0.022	0.047	1548.102	-868.155	539.414
A112	0.049				1548.889	-872.882	537.217	1.000	-0.005	-0.021	0.044	1548.885	-872.903	537.261
A113	0.062				1550.099	-876.300	535.694	1.000	-0.006	-0.027	0.056	1550.093	-876.328	535.750
A114	0.056				1551.442	-880.759	533.598	1.000	-0.005	-0.026	0.049	1551.436	-880.784	533.647
A115	0.016				1552.431	-883.916	532.027	1.000	-0.002	-0.008	0.014	1552.429	-883.923	532.041

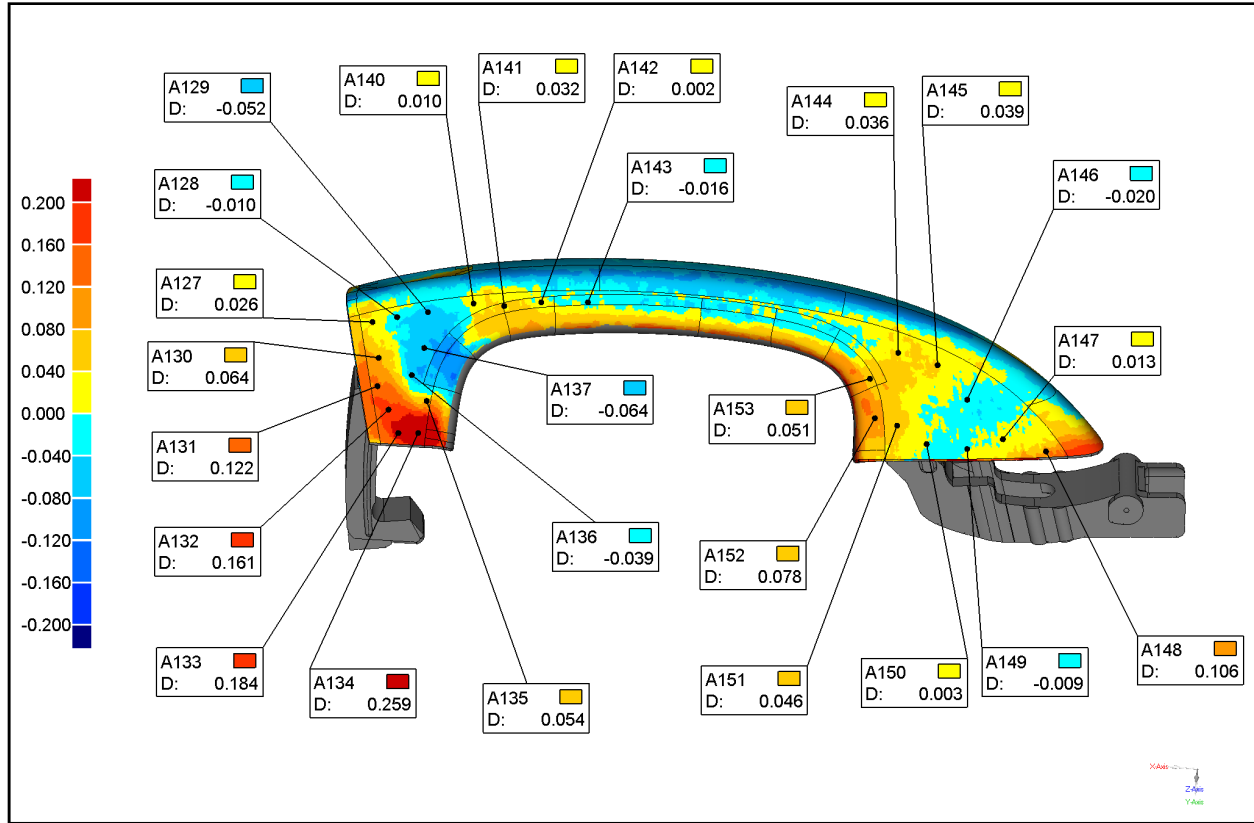
Annotated: Annotation View 6



Units: mm

Name	Dev	Status	Tol +	Tol -	Ref X	Ref Y	Ref Z	Dev Radius	Dev X	Dev Y	Dev Z	Test X	Test Y	Test Z
A116	0.054				1547.731	-880.887	533.104	1.000	-0.006	-0.025	0.047	1547.725	-880.912	533.151
A117	0.034				1543.668	-879.768	533.203	1.000	-0.004	-0.016	0.030	1543.664	-879.784	533.232
A118	0.029				1537.628	-878.509	533.095	1.000	-0.003	-0.013	0.025	1537.624	-878.523	533.120
A119	-0.009				1532.903	-875.231	534.172	1.000	0.001	0.004	-0.008	1532.904	-875.226	534.164
A120	-0.026				1529.914	-871.701	535.559	1.000	0.003	0.012	-0.023	1529.917	-871.690	535.535
A121	-0.015				1533.551	-869.420	537.143	1.000	0.002	0.007	-0.013	1533.552	-869.414	537.130
A122	0.002				1540.341	-868.820	538.222	1.000	-0.000	-0.001	0.002	1540.341	-868.821	538.224
A123	0.040				1544.600	-869.939	538.158	1.000	-0.004	-0.017	0.036	1544.596	-869.956	538.195
A124	0.034				1546.216	-871.892	537.406	1.000	-0.003	-0.014	0.030	1546.212	-871.907	537.436
A125	0.048				1548.274	-875.827	535.729	1.000	-0.005	-0.021	0.043	1548.269	-875.848	535.772
A126	-0.004				1537.179	-870.215	537.195	1.000	0.000	0.002	-0.004	1537.180	-870.213	537.191

Annotated: Annotation View 7

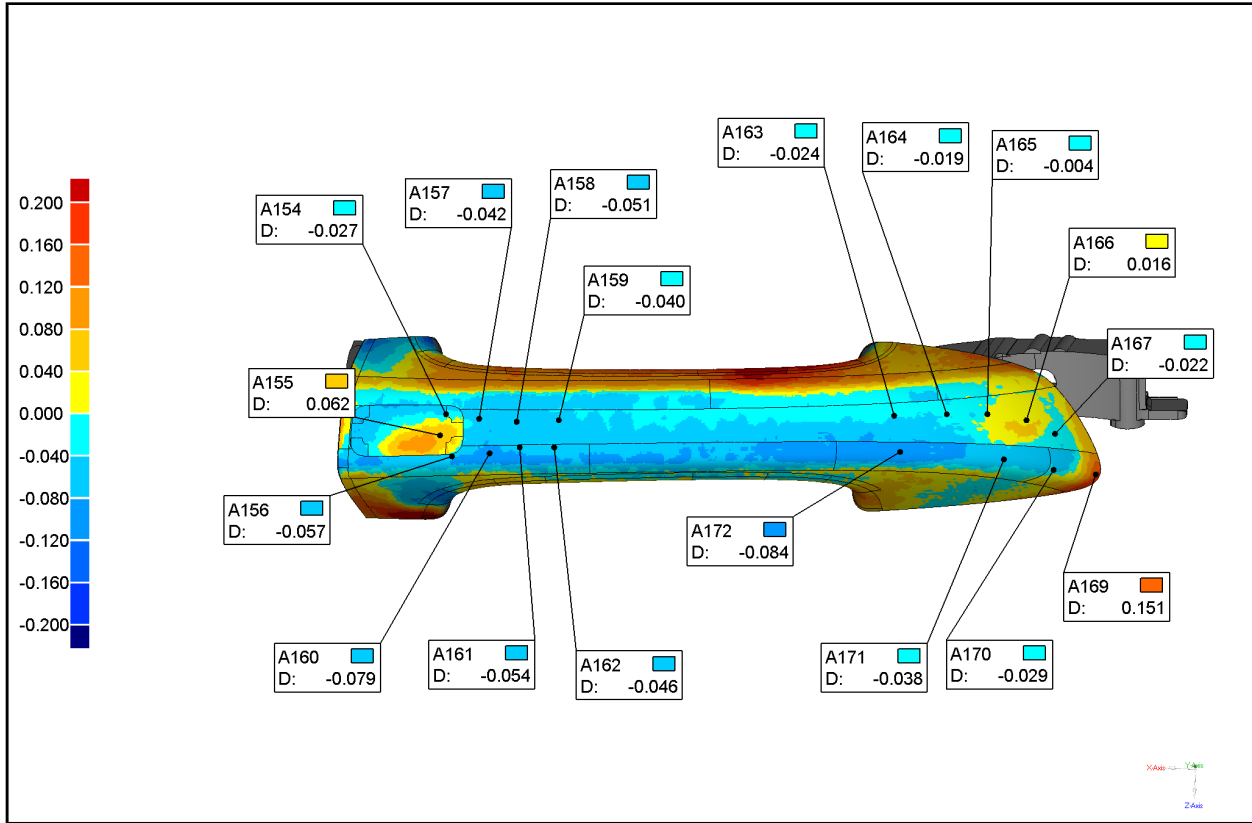


Units: mm

Name	Dev	Status	Tol +	Tol -	Ref X	Ref Y	Ref Z	Dev Radius	Dev X	Dev Y	Dev Z	Test X	Test Y	Test Z
A127	0.026				1673.575	-883.391	537.642	1.000	0.001	-0.014	0.022	1673.577	-883.405	537.664
A128	-0.010				1667.833	-884.919	536.985	1.000	-0.000	0.005	-0.008	1667.832	-884.913	536.977
A129	-0.052				1660.630	-886.546	536.244	1.000	-0.001	0.027	-0.044	1660.628	-886.519	536.200
A130	0.064				1671.383	-875.985	541.752	1.000	0.001	-0.028	0.058	1671.384	-876.013	541.810
A131	0.122				1671.101	-869.861	544.666	1.000	0.001	-0.051	0.111	1671.102	-869.911	544.777
A132	0.161				1668.000	-864.988	546.877	1.000	-0.000	-0.065	0.147	1668.000	-865.053	547.024
A133	0.184				1665.191	-860.068	549.029	1.000	-0.001	-0.073	0.168	1665.190	-860.142	549.197
A134	0.259				1660.518	-860.416	548.835	1.000	-0.003	-0.102	0.238	1660.515	-860.518	549.073
A135	0.054				1659.119	-867.547	545.702	1.000	-0.000	-0.022	0.050	1659.118	-867.569	545.752
A136	-0.039				1663.146	-872.895	543.303	1.000	0.000	0.016	-0.036	1663.146	-872.879	543.268
A137	-0.064				1660.775	-878.951	540.411	1.000	-0.000	0.029	-0.058	1660.774	-878.922	540.353
A140	0.010				1649.999	-889.172	534.815	1.000	0.000	-0.005	0.008	1650.000	-889.178	534.823
A141	0.032				1642.647	-889.209	534.835	1.000	-0.000	-0.017	0.027	1642.647	-889.226	534.862
A142	0.002				1633.963	-890.588	533.896	1.000	-0.000	-0.001	0.001	1633.963	-890.589	533.897
A143	-0.016				1622.868	-891.321	533.172	1.000	0.000	0.008	-0.013	1622.869	-891.312	533.159
A144	0.036				1548.308	-884.485	531.205	1.000	-0.004	-0.018	0.031	1548.304	-884.503	531.236
A145	0.039				1538.725	-882.223	531.210	1.000	-0.005	-0.019	0.034	1538.721	-882.242	531.244
A146	-0.020				1531.024	-875.143	533.961	1.000	0.002	0.009	-0.018	1531.027	-875.134	533.943
A147	0.013				1521.769	-866.981	536.784	1.000	-0.002	-0.006	0.011	1521.767	-866.986	536.795
A148	0.106				1511.317	-864.636	536.331	1.000	-0.016	-0.048	0.093	1511.301	-864.684	536.425
A149	-0.009				1530.025	-864.544	539.047	1.000	0.001	0.004	-0.008	1530.026	-864.540	539.039
A150	0.003				1539.749	-865.206	539.850	1.000	-0.000	-0.001	0.003	1539.749	-865.207	539.853
A151	0.046				1547.123	-868.897	538.911	1.000	-0.004	-0.020	0.042	1547.119	-868.916	538.953

Name	Dev	Status	Tol +	Tol -	Ref X	Ref Y	Ref Z	Dev Radius	Dev X	Dev Y	Dev Z	Test X	Test Y	Test Z
A152	0.078				1552.524	-870.237	538.770	1.000	-0.002	-0.032	0.071	1552.521	-870.269	538.841
A153	0.051				1554.488	-878.703	534.960	1.000	-0.004	-0.022	0.046	1554.484	-878.725	535.006

Annotated: Annotation View 8



Units: mm

Name	Dev	Status	Tol +	Tol -	Ref X	Ref Y	Ref Z	Dev Radius	Dev X	Dev Y	Dev Z	Test X	Test Y	Test Z
A154	-0.027				1655.268	-891.952	519.029	1.000	-0.007	0.026	0.002	1655.261	-891.926	519.031
A155	0.062				1656.466	-892.225	524.118	1.000	0.019	-0.059	-0.011	1656.485	-892.283	524.107
A156	-0.057				1653.417	-893.883	528.801	1.000	-0.009	0.056	-0.003	1653.408	-893.826	528.798
A157	-0.042				1647.414	-894.009	519.446	1.000	-0.007	0.041	0.008	1647.407	-893.969	519.455
A158	-0.051				1638.483	-895.432	519.555	1.000	-0.007	0.050	0.009	1638.476	-895.382	519.564
A159	-0.040				1628.516	-896.430	518.598	1.000	-0.004	0.039	0.006	1628.512	-896.391	518.604
A160	-0.079				1644.555	-895.307	527.461	1.000	-0.011	0.078	-0.005	1644.544	-895.229	527.456
A161	-0.054				1637.499	-896.192	525.560	1.000	-0.006	0.054	0.002	1637.493	-896.138	525.562
A162	-0.046				1629.296	-896.998	525.074	1.000	-0.004	0.046	0.001	1629.293	-896.952	525.075
A163	-0.024				1548.611	-891.583	514.795	1.000	0.005	0.022	0.005	1548.617	-891.561	514.801
A164	-0.019				1535.973	-887.688	514.502	1.000	0.006	0.017	0.005	1535.979	-887.670	514.507
A165	-0.004				1526.170	-883.515	514.740	1.000	0.002	0.004	0.001	1526.172	-883.511	514.742
A166	0.016				1516.627	-878.483	516.578	1.000	-0.009	-0.013	-0.005	1516.618	-878.496	516.573
A167	-0.022				1509.532	-874.345	520.195	1.000	0.014	0.016	0.006	1509.545	-874.329	520.200
A169	0.151				1499.117	-865.941	530.879	1.000	-0.096	-0.104	0.051	1499.021	-866.045	530.930
A170	-0.029				1509.498	-875.061	528.788	1.000	0.014	0.022	-0.012	1509.512	-875.039	528.776
A171	-0.038				1521.700	-883.110	525.496	1.000	0.017	0.033	-0.008	1521.717	-883.077	525.489
A172	-0.084				1546.784	-892.170	523.331	1.000	0.020	0.082	-0.005	1546.804	-892.088	523.327

**Annotated: All**

Units: mm

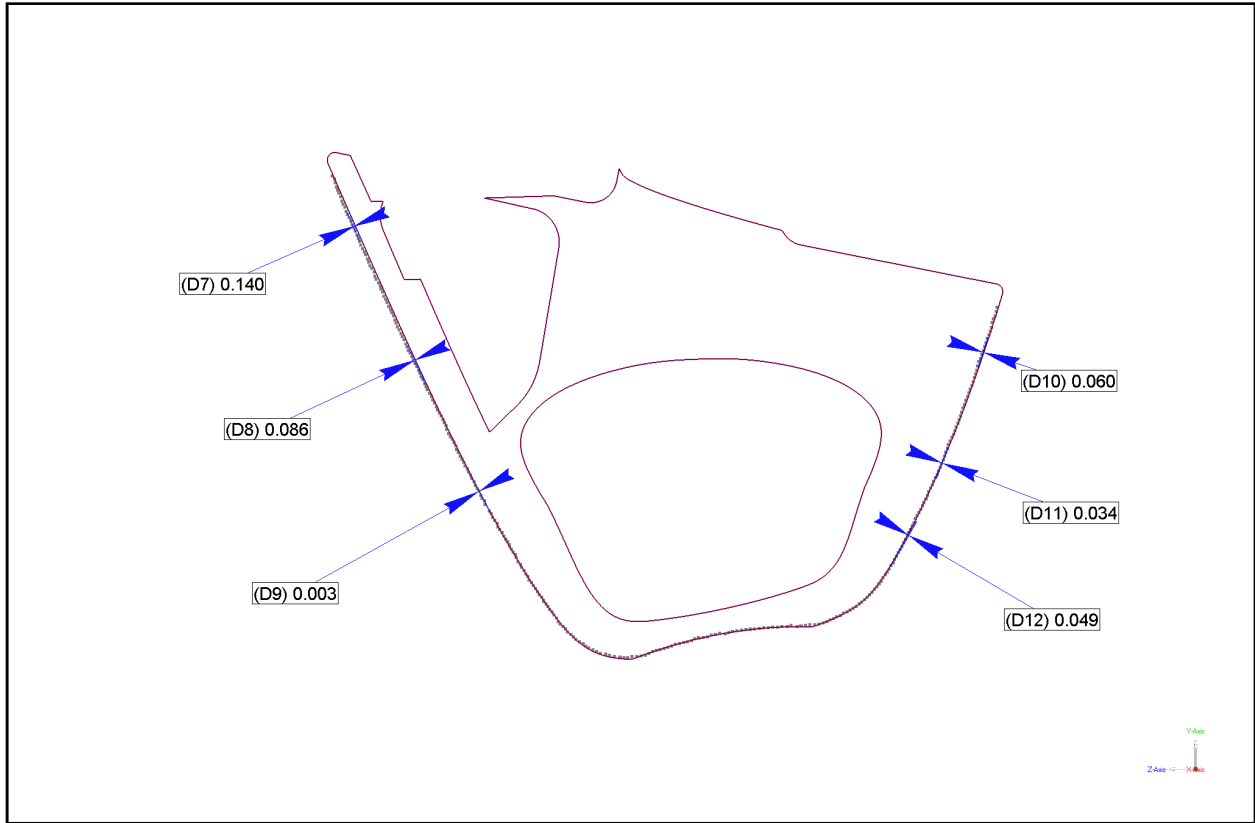
Name	Dev	Status	Tol +	Tol -	Ref X	Ref Y	Ref Z	Dev Radius	Dev X	Dev Y	Dev Z	Test X	Test Y	Test Z
A047	-0.040				1650.350	-893.413	519.206	1.000	-0.007	0.038	0.009	1650.343	-893.374	519.215
A048	-0.041				1649.495	-892.980	516.843	1.000	-0.008	0.039	0.012	1649.487	-892.941	516.855
A049	-0.034				1645.819	-893.631	516.709	1.000	-0.006	0.032	0.009	1645.813	-893.599	516.718
A050	-0.051				1642.717	-894.146	516.635	1.000	-0.008	0.049	0.014	1642.708	-894.097	516.648
A051	-0.053				1641.819	-894.856	519.046	1.000	-0.008	0.052	0.010	1641.811	-894.804	519.056
A052	-0.059				1641.819	-895.381	522.347	1.000	-0.008	0.058	0.007	1641.810	-895.323	522.354
A053	-0.071				1642.905	-895.539	526.387	1.000	-0.010	0.070	-0.000	1642.895	-895.468	526.387
A054	-0.087				1645.150	-895.223	527.578	1.000	-0.012	0.086	-0.003	1645.139	-895.137	527.574
A055	-0.097				1648.174	-894.713	528.651	1.000	-0.015	0.095	-0.013	1648.160	-894.618	528.638
A056	-0.044				1650.462	-894.407	526.831	1.000	-0.007	0.044	0.002	1650.455	-894.364	526.833
A057	-0.035				1650.288	-894.175	523.659	1.000	-0.006	0.035	0.004	1650.282	-894.140	523.663
A058	-0.033				1650.417	-893.845	521.527	1.000	-0.006	0.032	0.005	1650.412	-893.814	521.533
A059	-0.058				1641.843	-895.621	524.908	1.000	-0.008	0.057	0.003	1641.835	-895.564	524.911
A060	0.023				1674.186	-883.547	537.508	1.000	0.001	-0.012	0.020	1674.187	-883.559	537.528
A061	0.004				1670.345	-884.414	537.179	1.000	0.000	-0.002	0.004	1670.346	-884.416	537.183
A062	-0.027				1665.557	-885.555	536.686	1.000	-0.001	0.014	-0.023	1665.556	-885.541	536.663
A063	-0.052				1660.305	-886.212	536.459	1.000	-0.001	0.027	-0.044	1660.304	-886.185	536.414
A064	-0.046				1656.680	-885.780	536.797	1.000	-0.001	0.023	-0.039	1656.680	-885.757	536.757
A065	-0.057				1657.329	-881.968	538.891	1.000	-0.000	0.027	-0.051	1657.328	-881.941	538.841
A066	-0.077				1657.699	-876.028	541.829	1.000	0.000	0.033	-0.070	1657.699	-875.995	541.760
A067	-0.004				1660.130	-869.154	544.994	1.000	0.000	0.002	-0.004	1660.130	-869.152	544.990
A068	0.193				1659.815	-863.851	547.334	1.000	-0.002	-0.077	0.176	1659.813	-863.928	547.510
A069	0.267				1660.310	-860.157	548.944	1.000	-0.003	-0.106	0.245	1660.307	-860.263	549.189
A070	0.197				1663.788	-859.578	549.230	1.000	-0.002	-0.078	0.181	1663.786	-859.657	549.411
A071	0.183				1666.249	-860.257	548.953	1.000	-0.001	-0.073	0.168	1666.248	-860.331	549.121
A072	0.144				1669.249	-862.013	548.194	1.000	-0.000	-0.058	0.132	1669.249	-862.071	548.326
A073	0.147				1670.316	-867.023	545.963	1.000	0.001	-0.060	0.134	1670.317	-867.083	546.096
A074	0.112				1671.866	-871.175	544.050	1.000	0.001	-0.047	0.102	1671.867	-871.222	544.152
A075	0.043				1672.668	-878.467	540.461	1.000	0.001	-0.020	0.039	1672.669	-878.487	540.500
A076	0.094				1672.216	-873.747	542.828	1.000	0.001	-0.041	0.085	1672.217	-873.788	542.913
A077	-0.005				1670.393	-883.378	537.811	1.000	-0.000	0.002	-0.004	1670.393	-883.375	537.807
A078	-0.030				1667.377	-883.073	538.106	1.000	-0.001	0.015	-0.026	1667.376	-883.059	538.080
A079	-0.042				1663.972	-882.794	538.357	1.000	-0.001	0.021	-0.037	1663.971	-882.773	538.320
A080	-0.059				1661.386	-879.858	539.950	1.000	-0.001	0.027	-0.052	1661.385	-879.832	539.897
A081	-0.051				1662.947	-873.930	542.822	1.000	-0.000	0.022	-0.046	1662.947	-873.908	542.776
A082	0.018				1662.465	-868.889	545.125	1.000	-0.000	-0.007	0.016	1662.465	-868.897	545.142
A083	0.107				1666.482	-869.371	544.913	1.000	0.000	-0.044	0.098	1666.482	-869.416	545.011
A084	0.098				1668.019	-870.512	544.388	1.000	0.000	-0.041	0.089	1668.019	-870.553	544.478
A085	0.053				1669.033	-875.069	542.238	1.000	0.001	-0.023	0.048	1669.034	-875.093	542.285
A086	0.032				1669.262	-878.172	540.696	1.000	0.001	-0.015	0.029	1669.263	-878.187	540.725
A087	-0.011				1668.248	-880.834	539.326	1.000	-0.000	0.005	-0.010	1668.248	-880.828	539.316
A088	-0.015				1648.811	-892.714	532.240	1.000	-0.001	0.010	-0.011	1648.811	-892.704	532.229
A089	-0.015				1642.228	-893.677	531.645	1.000	-0.000	0.010	-0.011	1642.228	-893.667	531.634
A090	-0.021				1637.333	-893.991	531.487	1.000	-0.000	0.014	-0.015	1637.333	-893.977	531.471
A091	-0.032				1632.048	-894.305	531.259	1.000	-0.000	0.020	-0.025	1632.048	-894.285	531.234
A092	-0.020				1626.111	-894.172	531.306	1.000	0.000	0.012	-0.016	1626.111	-894.160	531.290
A093	-0.004				1624.937	-891.329	533.232	1.000	0.000	0.002	-0.003	1624.937	-891.327	533.229
A094	0.039				1629.432	-887.918	535.140	1.000	-0.003	-0.010	0.038	1629.429	-887.928	535.178
A095	0.038				1636.671	-887.544	535.637	1.000	-0.001	-0.015	0.034	1636.669	-887.559	535.671



Name	Dev	Status	Tol +	Tol -	Ref X	Ref Y	Ref Z	Dev Radius	Dev X	Dev Y	Dev Z	Test X	Test Y	Test Z
A096	0.051				1642.671	-886.687	536.259	1.000	-0.001	-0.022	0.046	1642.670	-886.709	536.305
A097	0.033				1647.539	-884.650	537.420	1.000	-0.001	-0.014	0.030	1647.538	-884.664	537.450
A098	0.021				1649.366	-886.601	536.389	1.000	0.000	-0.010	0.018	1649.366	-886.611	536.406
A099	0.020				1647.597	-889.661	534.527	1.000	0.000	-0.011	0.016	1647.597	-889.672	534.543
A100	0.017				1551.939	-886.189	530.673	1.000	-0.002	-0.009	0.015	1551.937	-886.198	530.687
A101	0.028				1546.837	-886.143	530.033	1.000	-0.003	-0.015	0.024	1546.833	-886.158	530.056
A102	0.038				1540.904	-884.209	530.363	1.000	-0.005	-0.019	0.032	1540.899	-884.228	530.395
A103	0.011				1534.138	-880.343	531.610	1.000	-0.001	-0.006	0.010	1534.137	-880.348	531.620
A104	-0.024				1526.851	-876.934	532.391	1.000	0.003	0.012	-0.021	1526.855	-876.923	532.370
A105	-0.016				1521.812	-871.135	534.690	1.000	0.002	0.007	-0.014	1521.814	-871.128	534.676
A106	0.038				1517.642	-865.976	536.677	1.000	-0.005	-0.017	0.034	1517.637	-865.993	536.711
A107	-0.003				1526.112	-866.350	537.688	1.000	0.000	0.001	-0.002	1526.113	-866.349	537.685
A108	-0.011				1534.849	-864.058	539.841	1.000	0.001	0.005	-0.010	1534.850	-864.053	539.831
A109	0.002				1541.789	-863.043	541.062	1.000	-0.000	-0.001	0.002	1541.788	-863.044	541.064
A110	0.022				1545.507	-864.549	540.754	1.000	-0.002	-0.009	0.020	1545.505	-864.558	540.773
A111	0.052				1548.107	-868.133	539.366	1.000	-0.005	-0.022	0.047	1548.102	-868.155	539.414
A112	0.049				1548.889	-872.882	537.217	1.000	-0.005	-0.021	0.044	1548.885	-872.903	537.261
A113	0.062				1550.099	-876.300	535.694	1.000	-0.006	-0.027	0.056	1550.093	-876.328	535.750
A114	0.056				1551.442	-880.759	533.598	1.000	-0.005	-0.026	0.049	1551.436	-880.784	533.647
A115	0.016				1552.431	-883.916	532.027	1.000	-0.002	-0.008	0.014	1552.429	-883.923	532.041
A116	0.054				1547.731	-880.887	533.104	1.000	-0.006	-0.025	0.047	1547.725	-880.912	533.151
A117	0.034				1543.668	-879.768	533.203	1.000	-0.004	-0.016	0.030	1543.664	-879.784	533.232
A118	0.029				1537.628	-878.509	533.095	1.000	-0.003	-0.013	0.025	1537.624	-878.523	533.120
A119	-0.009				1532.903	-875.231	534.172	1.000	0.001	0.004	-0.005	1532.904	-875.226	534.164
A120	-0.026				1529.914	-871.701	535.559	1.000	0.003	0.012	-0.023	1529.917	-871.690	535.535
A121	-0.015				1533.551	-869.420	537.143	1.000	0.002	0.007	-0.013	1533.552	-869.414	537.130
A122	0.002				1540.341	-868.820	538.222	1.000	-0.000	-0.001	0.002	1540.341	-868.821	538.224
A123	0.040				1544.600	-869.939	538.158	1.000	-0.004	-0.017	0.036	1544.596	-869.956	538.195
A124	0.034				1546.216	-871.892	537.406	1.000	-0.003	-0.014	0.030	1546.212	-871.907	537.436
A125	0.048				1548.274	-875.827	535.729	1.000	-0.005	-0.021	0.043	1548.269	-875.848	535.772
A126	-0.004				1537.179	-870.215	537.195	1.000	0.000	0.002	-0.004	1537.180	-870.213	537.191
A127	0.026				1673.575	-883.391	537.642	1.000	0.001	-0.014	0.022	1673.577	-883.405	537.664
A128	-0.010				1667.833	-884.919	536.985	1.000	-0.000	0.005	-0.008	1667.832	-884.913	536.977
A129	-0.052				1660.630	-886.546	536.244	1.000	-0.001	0.027	-0.044	1660.628	-886.519	536.200
A130	0.064				1671.383	-875.985	541.752	1.000	0.001	-0.028	0.058	1671.384	-876.013	541.810
A131	0.122				1671.101	-869.861	544.666	1.000	0.001	-0.051	0.111	1671.102	-869.911	544.777
A132	0.161				1668.000	-864.988	546.877	1.000	-0.000	-0.065	0.147	1668.000	-865.053	547.024
A133	0.184				1665.191	-860.068	549.029	1.000	-0.001	-0.073	0.168	1665.190	-860.142	549.197
A134	0.259				1660.518	-860.416	548.835	1.000	-0.003	-0.102	0.238	1660.515	-860.518	549.073
A135	0.054				1659.119	-867.547	545.702	1.000	-0.000	-0.022	0.050	1659.118	-867.569	545.752
A136	-0.039				1663.146	-872.895	543.303	1.000	0.000	0.016	-0.036	1663.146	-872.879	543.268
A137	-0.064				1660.775	-878.951	540.411	1.000	-0.000	0.029	-0.058	1660.774	-878.922	540.353
A140	0.010				1649.999	-889.172	534.815	1.000	0.000	-0.005	0.008	1650.000	-889.178	534.823
A141	0.032				1642.647	-889.209	534.835	1.000	-0.000	-0.017	0.027	1642.647	-889.226	534.862
A142	0.002				1633.963	-890.588	533.896	1.000	-0.000	-0.001	0.001	1633.963	-890.589	533.897
A143	-0.016				1622.868	-891.321	533.172	1.000	0.000	0.008	-0.013	1622.869	-891.312	533.159
A144	0.036				1548.308	-884.485	531.205	1.000	-0.004	-0.018	0.031	1548.304	-884.503	531.236
A145	0.039				1538.725	-882.223	531.210	1.000	-0.005	-0.019	0.034	1538.721	-882.242	531.244
A146	-0.020				1531.024	-875.143	533.961	1.000	0.002	0.009	-0.018	1531.027	-875.134	533.943
A147	0.013				1521.769	-866.981	536.784	1.000	-0.002	-0.006	0.011	1521.767	-866.986	536.795
A148	0.106				1511.317	-864.636	536.331	1.000	-0.016	-0.048	0.093	1511.301	-864.684	536.425
A149	-0.009				1530.025	-864.544	539.047	1.000	0.001	0.004	-0.008	1530.026	-864.540	539.039
A150	0.003				1539.749	-865.206	539.850	1.000	-0.000	-0.001	0.003	1539.749	-865.207	539.853

Name	Dev	Status	Tol +	Tol -	Ref X	Ref Y	Ref Z	Dev Radius	Dev X	Dev Y	Dev Z	Test X	Test Y	Test Z
A151	0.046				1547.123	-868.897	538.911	1.000	-0.004	-0.020	0.042	1547.119	-868.916	538.953
A152	0.078				1552.524	-870.237	538.770	1.000	-0.002	-0.032	0.071	1552.521	-870.269	538.841
A153	0.051				1554.488	-878.703	534.960	1.000	-0.004	-0.022	0.046	1554.484	-878.725	535.006
A154	-0.027				1655.268	-891.952	519.029	1.000	-0.007	0.026	0.002	1655.261	-891.926	519.031
A155	0.062				1656.466	-892.225	524.118	1.000	0.019	-0.059	-0.011	1656.485	-892.283	524.107
A156	-0.057				1653.417	-893.883	528.801	1.000	-0.009	0.056	-0.003	1653.408	-893.826	528.798
A157	-0.042				1647.414	-894.009	519.446	1.000	-0.007	0.041	0.008	1647.407	-893.969	519.455
A158	-0.051				1638.483	-895.432	519.555	1.000	-0.007	0.050	0.009	1638.476	-895.382	519.564
A159	-0.040				1628.516	-896.430	518.598	1.000	-0.004	0.039	0.006	1628.512	-896.391	518.604
A160	-0.079				1644.555	-895.307	527.461	1.000	-0.011	0.078	-0.005	1644.544	-895.229	527.456
A161	-0.054				1637.499	-896.192	525.560	1.000	-0.006	0.054	0.002	1637.493	-896.138	525.562
A162	-0.046				1629.296	-896.998	525.074	1.000	-0.004	0.046	0.001	1629.293	-896.952	525.075
A163	-0.024				1548.611	-891.583	514.795	1.000	0.005	0.022	0.005	1548.617	-891.561	514.801
A164	-0.019				1535.973	-887.688	514.502	1.000	0.006	0.017	0.005	1535.979	-887.670	514.507
A165	-0.004				1526.170	-883.515	514.740	1.000	0.002	0.004	0.001	1526.172	-883.511	514.742
A166	0.016				1516.627	-878.483	516.578	1.000	-0.009	-0.013	-0.005	1516.618	-878.496	516.573
A167	-0.022				1509.532	-874.345	520.195	1.000	0.014	0.016	0.006	1509.545	-874.329	520.200
A169	0.151				1499.117	-865.941	530.879	1.000	-0.096	-0.104	0.051	1499.021	-866.045	530.930
A170	-0.029				1509.498	-875.061	528.788	1.000	0.014	0.022	-0.012	1509.512	-875.039	528.776
A171	-0.038				1521.700	-883.110	525.496	1.000	0.017	0.033	-0.008	1521.717	-883.077	525.489
A172	-0.084				1546.784	-892.170	523.331	1.000	0.020	0.082	-0.005	1546.804	-892.088	523.327

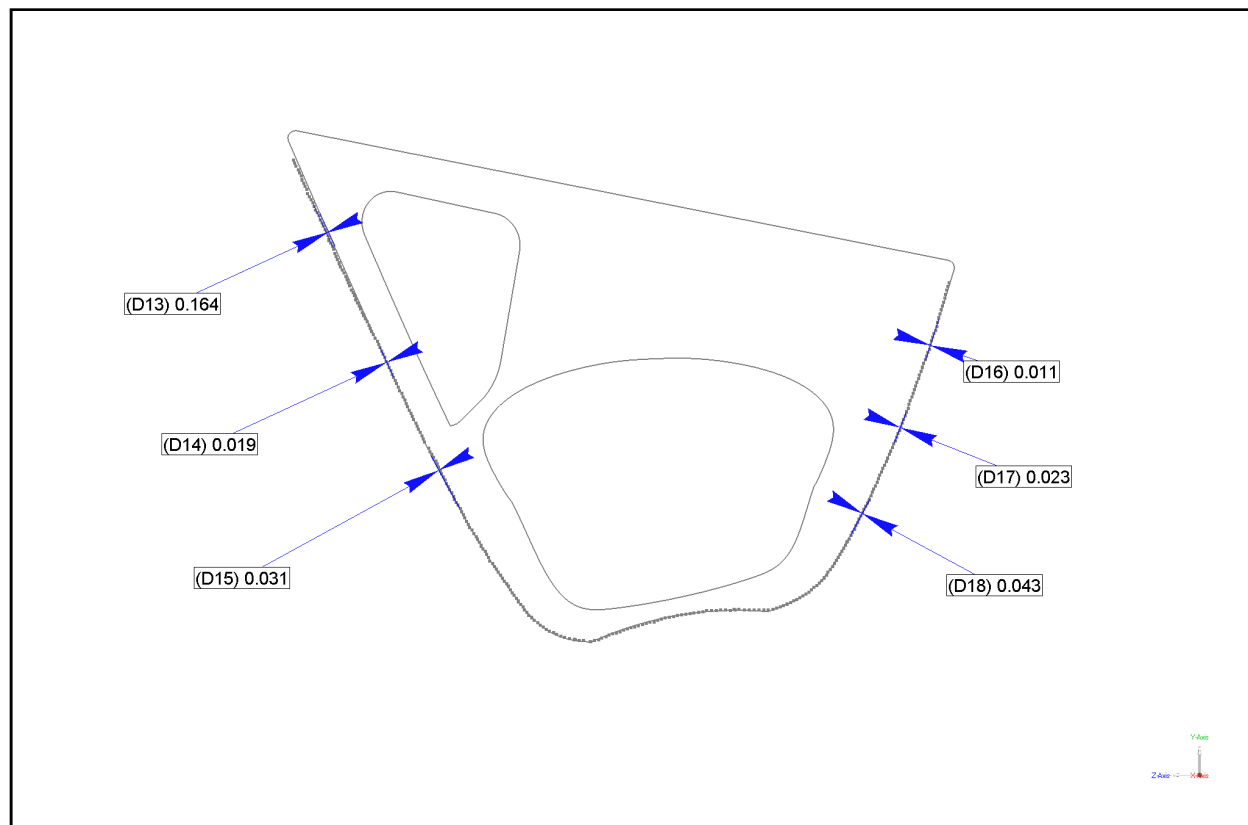
**Dimension 2D: yz--1670mm**



Units: mm

Name	Measured	Nominal	Deviation	Tolerance +	Tolerance -
D7	0.140	0.140			
D8	0.086	0.003			
D9	0.003	0.003			
D10	0.060	0.003			
D11	0.034	0.034			
D12	0.049	0.004			

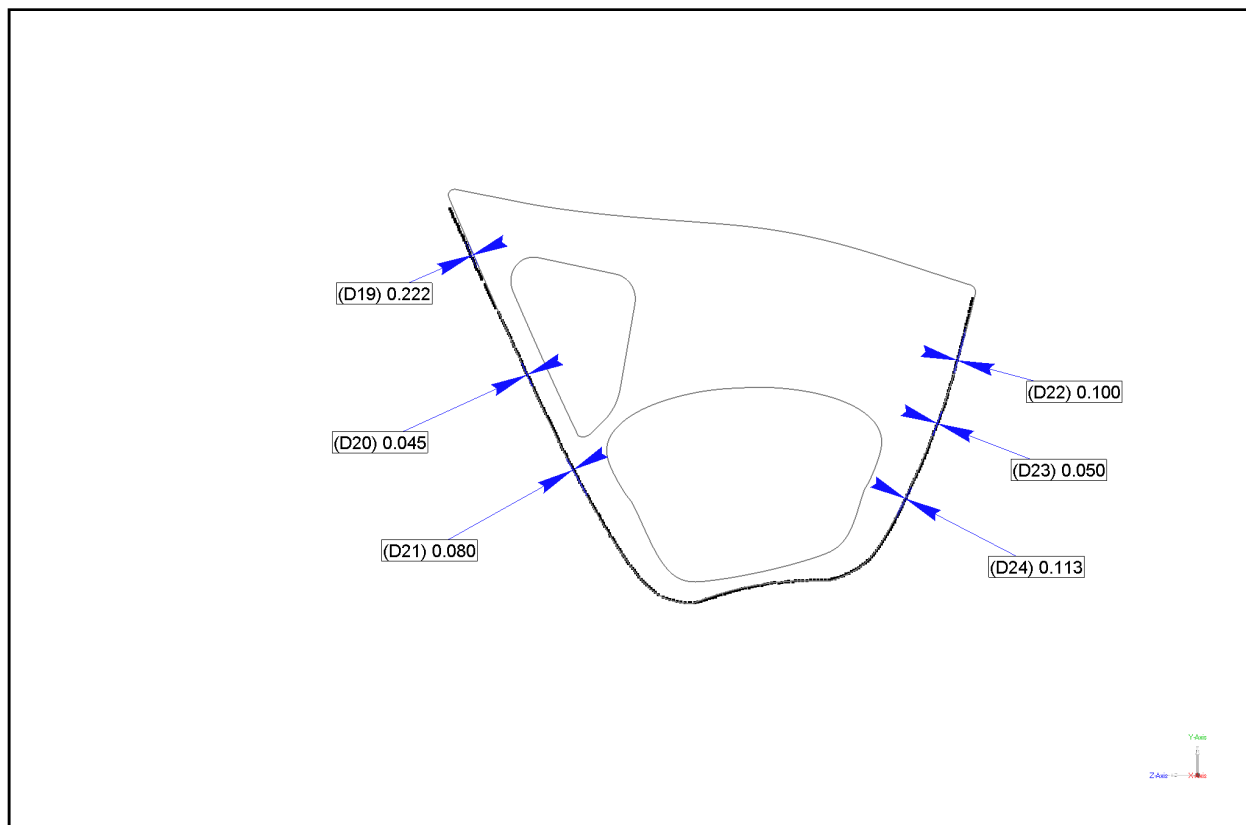
Dimension 2D: yz--1665mm



Units: mm

Name	Measured	Nominal	Deviation	Tolerance +	Tolerance -
D13	0.164	0.164			
D14	0.019	0.000			
D15	0.031	0.031			
D16	0.011	0.001			
D17	0.023	0.023			
D18	0.043	0.001			

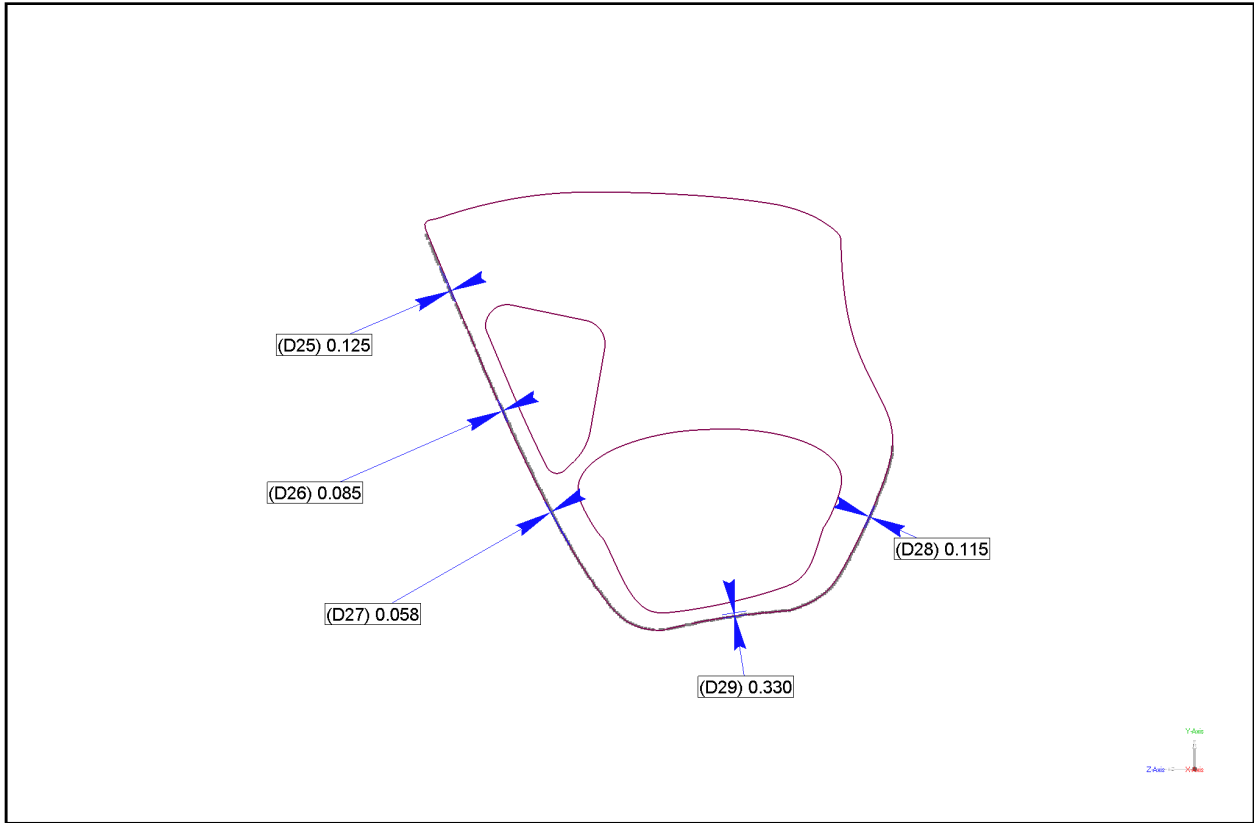
Dimension 2D: yz--1660mm



Units: mm

Name	Measured	Nominal	Deviation	Tolerance +	Tolerance -
D19	0.222	0.222			
D20	0.045	0.001			
D21	0.080	0.080			
D22	0.100	0.002			
D23	0.050	0.050			
D24	0.113	0.008			

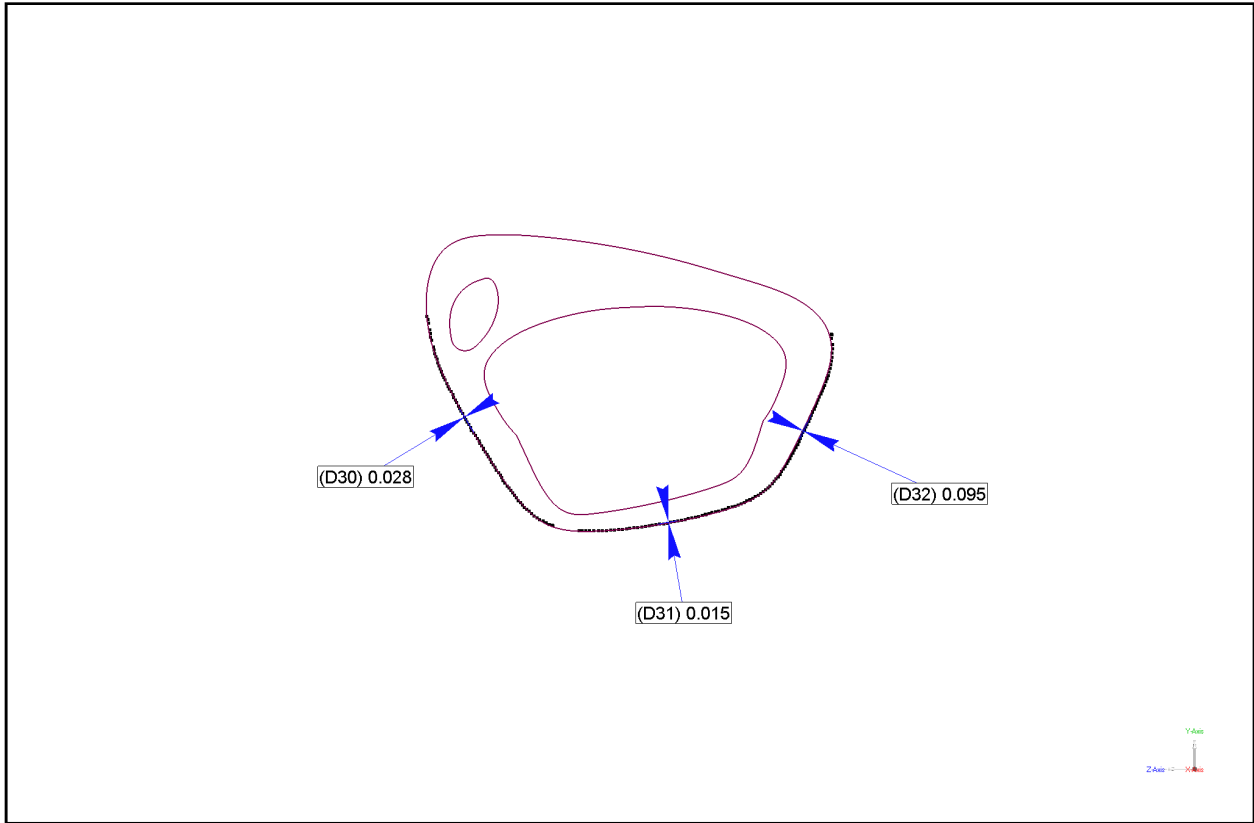
**Dimension 2D: yz--1655mm**



Units: mm

Name	Measured	Nominal	Deviation	Tolerance +	Tolerance -
D25	0.125	0.125			
D26	0.085	0.756			
D27	0.058	0.058			
D28	0.115	0.016			
D29	0.330	0.330			

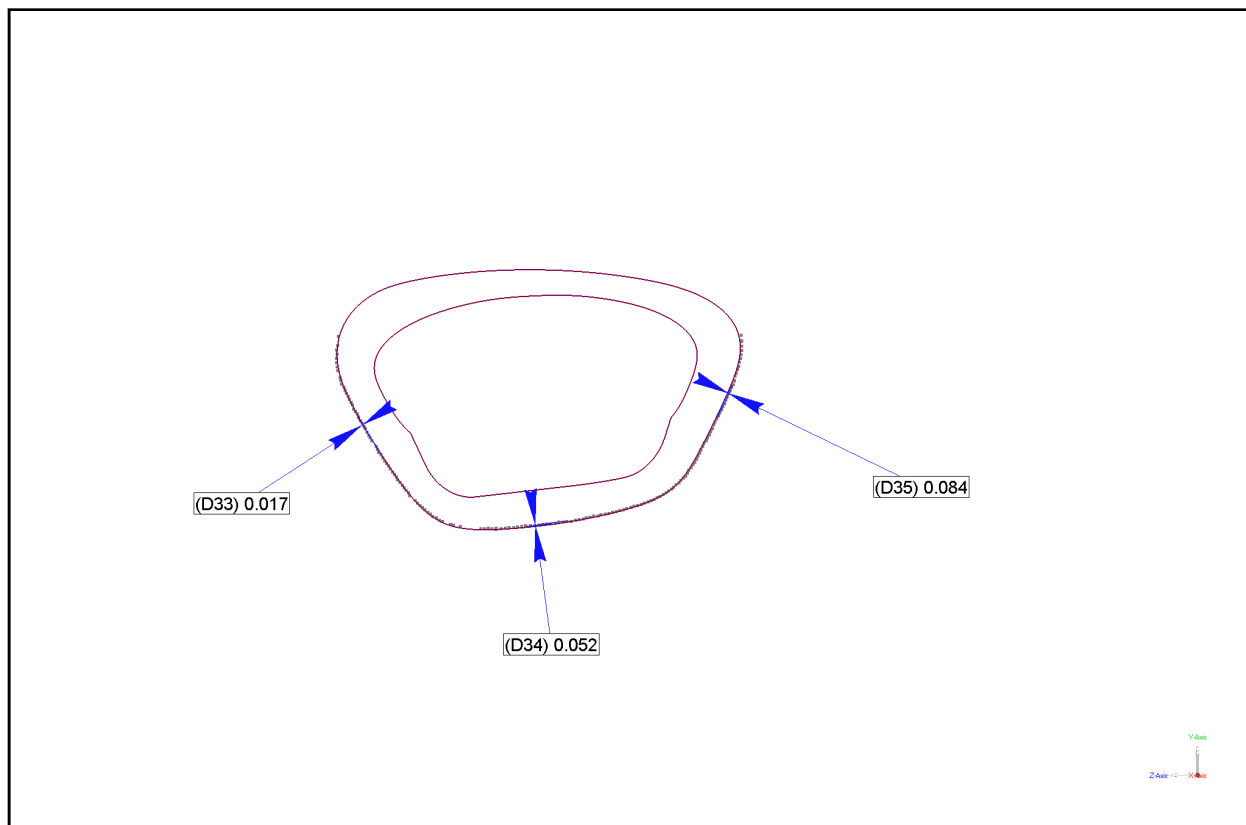
**Dimension 2D: yz--1650mm**



Units: mm

Name	Measured	Nominal	Deviation	Tolerance +	Tolerance -
D30	0.028	0.028			
D31	0.015	0.037			
D32	0.095	0.095			

**Dimension 2D: yz--1645mm**

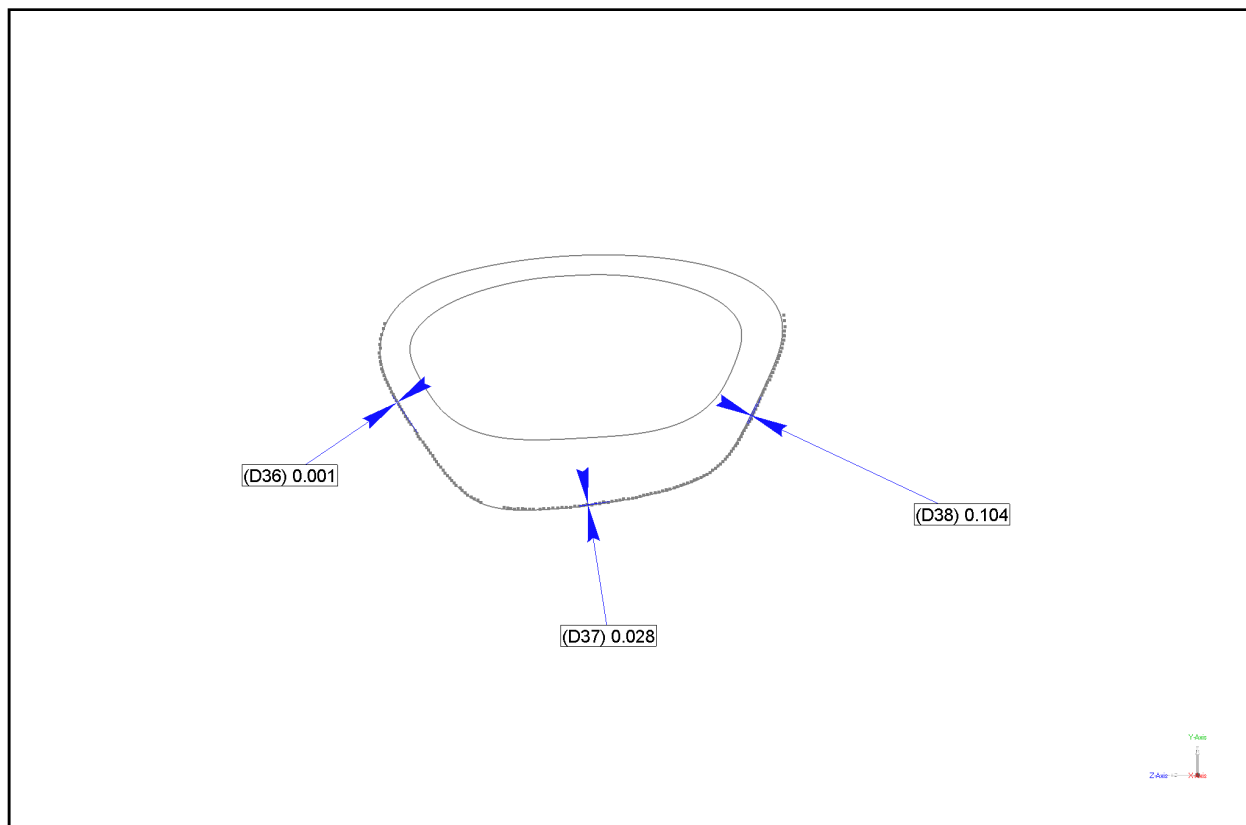


Units: mm

Name	Measured	Nominal	Deviation	Tolerance +	Tolerance -
D33	0.017	0.017			
D34	0.052	0.013			
D35	0.084	0.084			



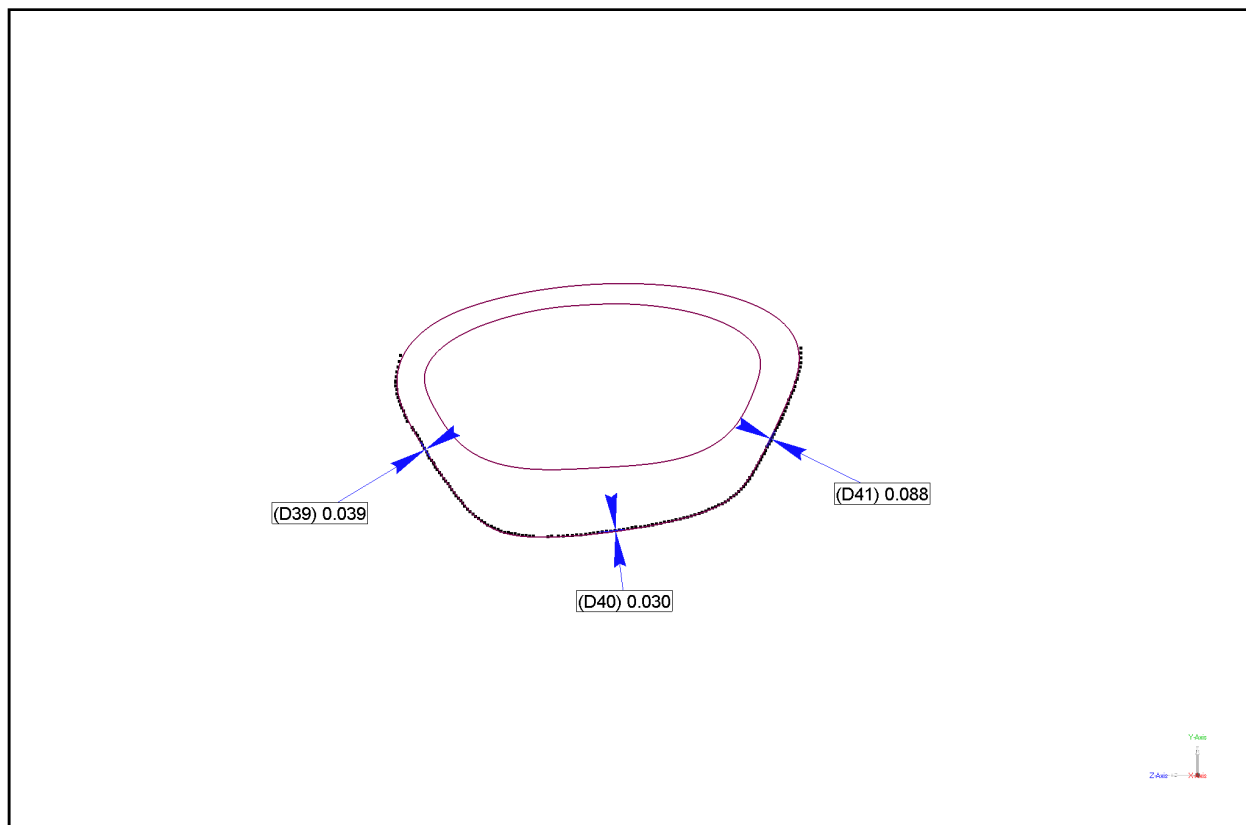
### Dimension 2D: yz--1640mm



Units: mm

Name	Measured	Nominal	Deviation	Tolerance +	Tolerance -
D36	0.001	0.001			
D37	0.028	0.016			
D38	0.104	0.104			

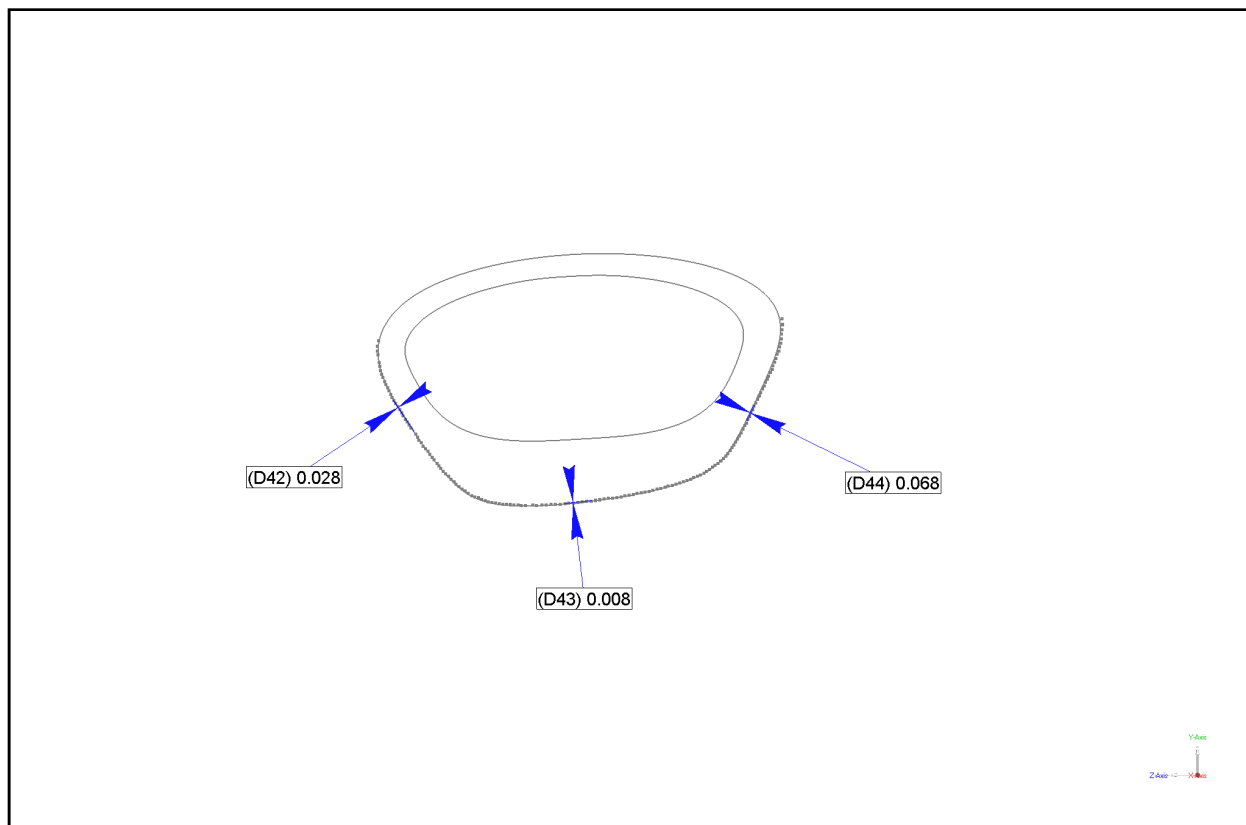
### Dimension 2D: yz--1635mm



Units: mm

Name	Measured	Nominal	Deviation	Tolerance +	Tolerance -
D39	0.039	0.039			
D40	0.030	0.031			
D41	0.088	0.088			

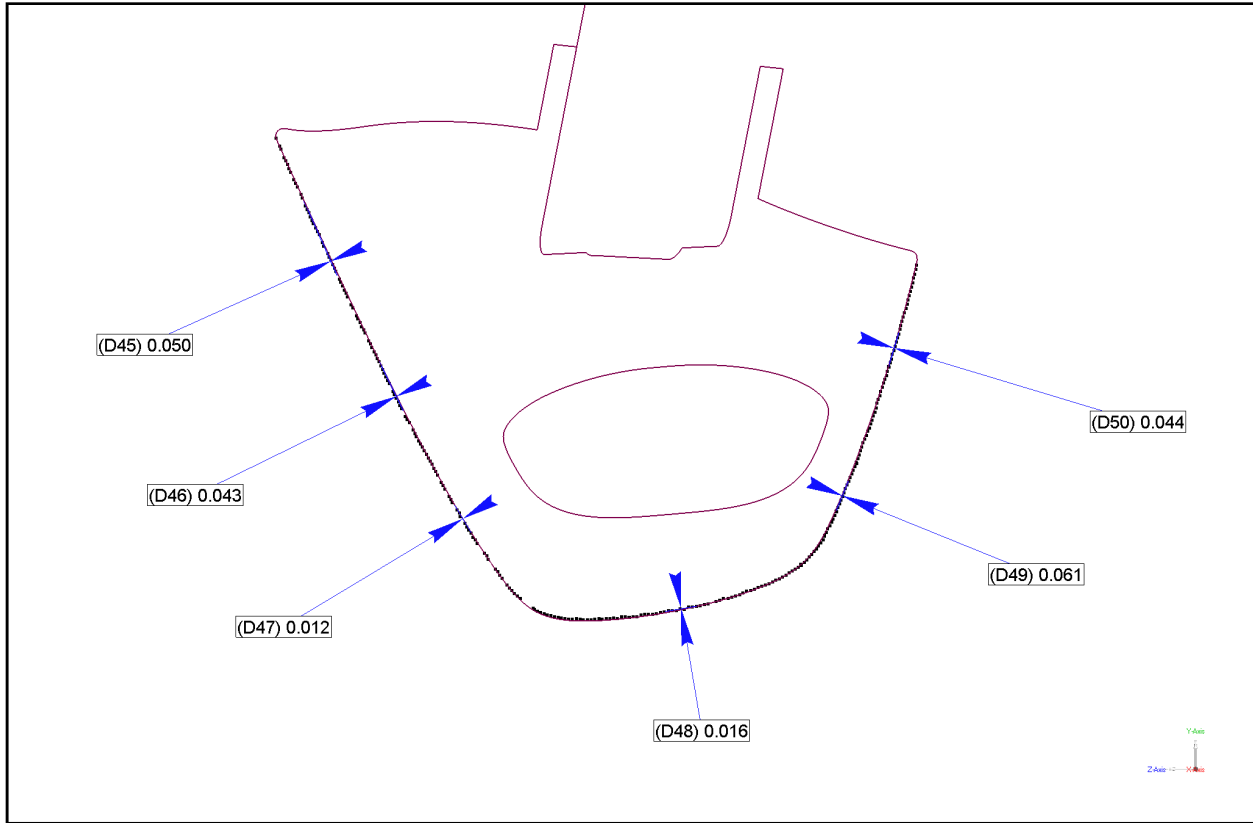
### Dimension 2D: yz--1630mm



Units: mm

Name	Measured	Nominal	Deviation	Tolerance +	Tolerance -
D42	0.028	0.028			
D43	0.008	0.033			
D44	0.068	0.068			

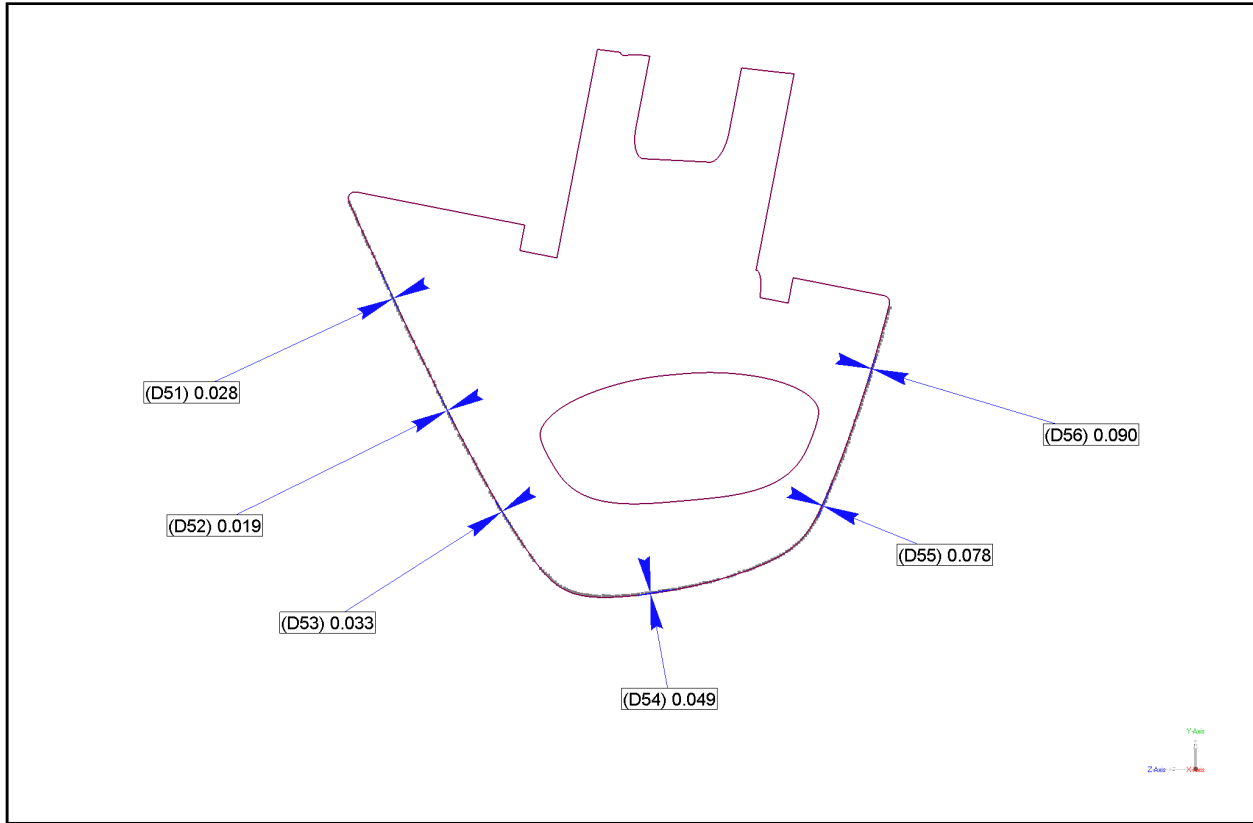
Dimension 2D: yz--1550mm



Units: mm

Name	Measured	Nominal	Deviation	Tolerance +	Tolerance -
D45	0.050	0.050			
D46	0.043	0.002			
D47	0.012	0.012			
D48	0.016	0.043			
D49	0.061	0.061			
D50	0.044	0.004			

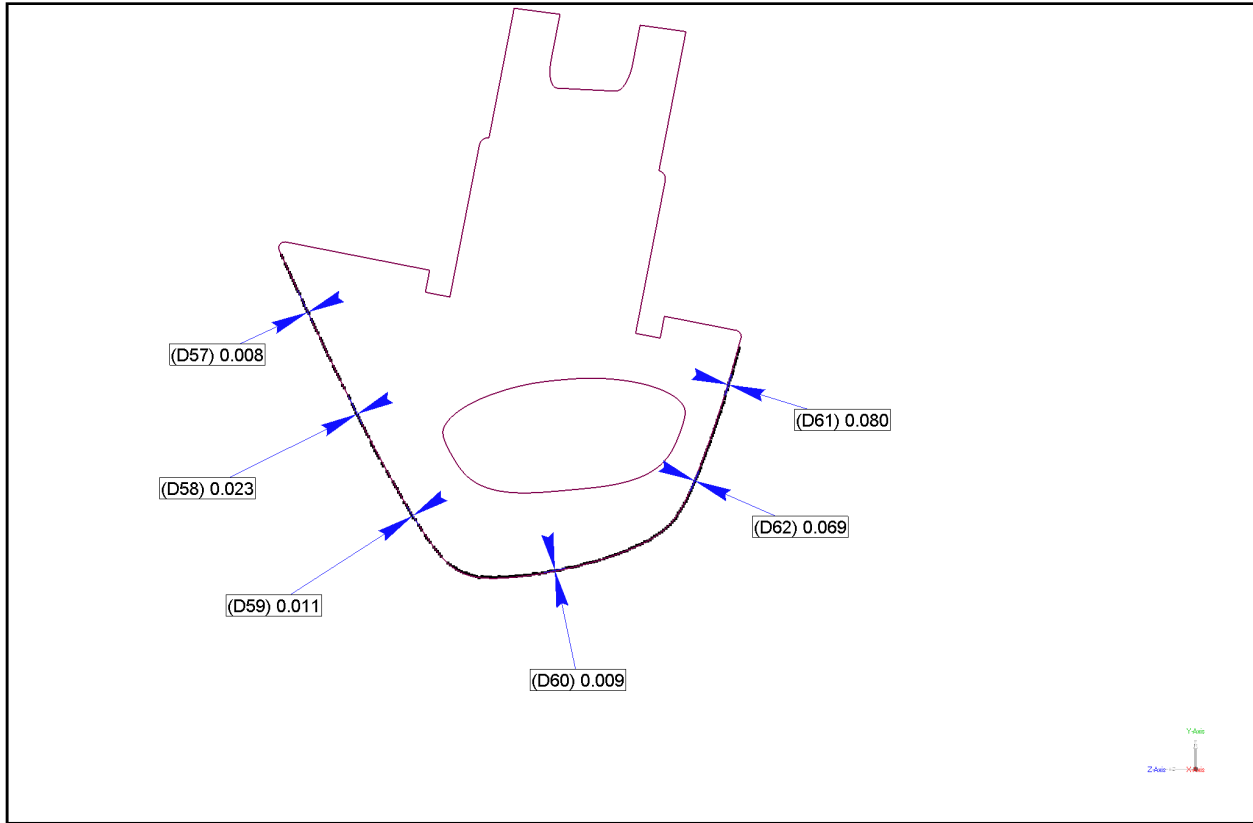
**Dimension 2D: yz--1545mm**



Units: mm

Name	Measured	Nominal	Deviation	Tolerance +	Tolerance -
D51	0.028	0.028			
D52	0.019	0.000			
D53	0.033	0.033			
D54	0.049	0.016			
D55	0.078	0.078			
D56	0.090	0.006			

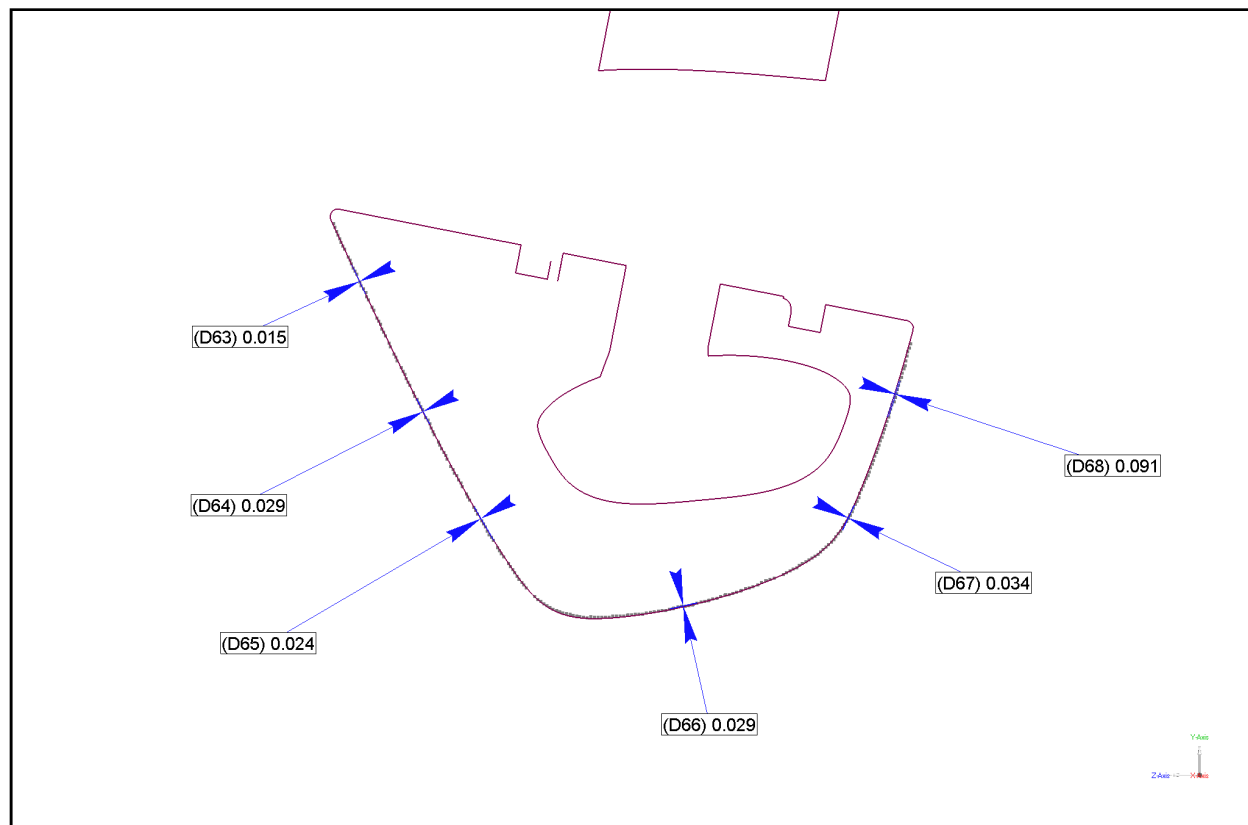
Dimension 2D: yz--1540mm



Units: mm

Name	Measured	Nominal	Deviation	Tolerance +	Tolerance -
D57	0.008	0.008			
D58	0.023	0.000			
D59	0.011	0.011			
D60	0.009	0.053			
D61	0.080	0.080			
D62	0.069	0.006			

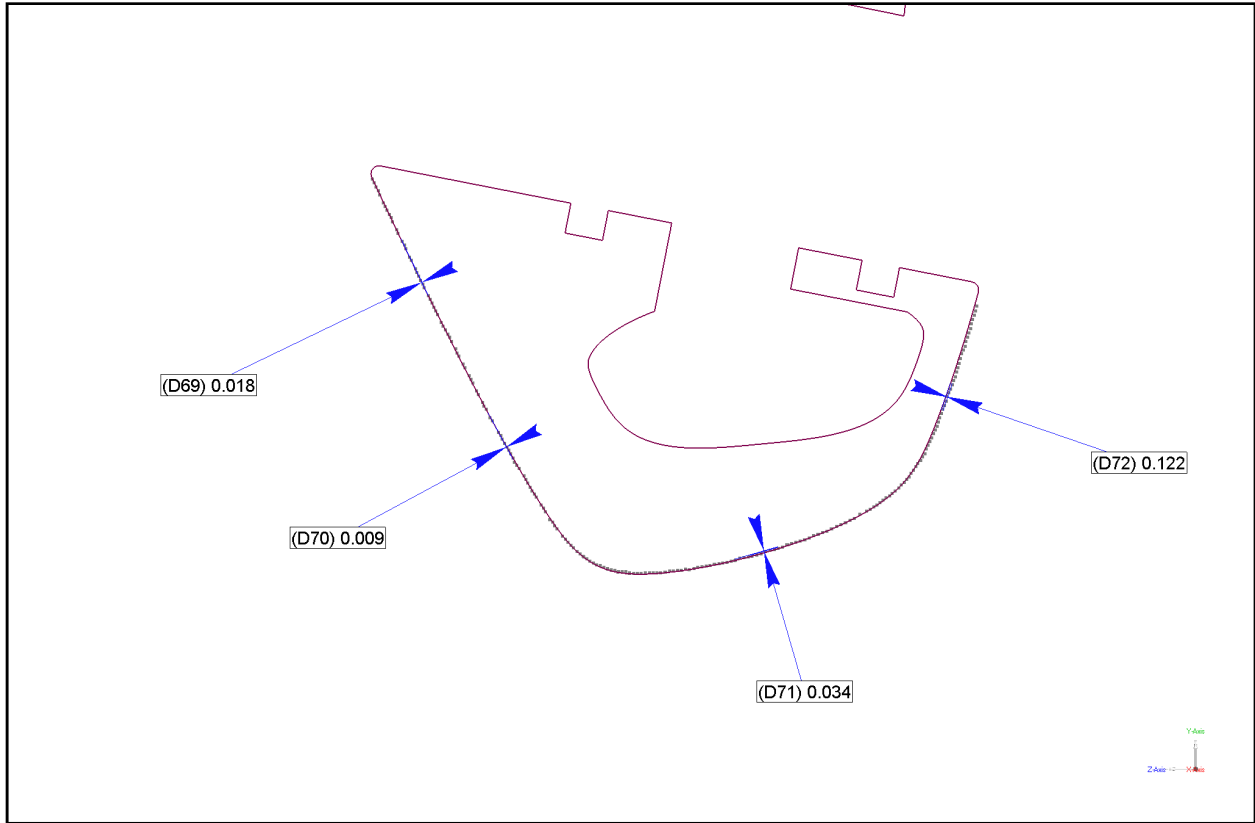
### Dimension 2D: yz--1535mm



Units: mm

Name	Measured	Nominal	Deviation	Tolerance +	Tolerance -
D63	0.015	0.015			
D64	0.029	0.005			
D65	0.024	0.024			
D66	0.029	0.055			
D67	0.034	0.034			
D68	0.091	0.006			

**Dimension 2D: yz--1530mm**

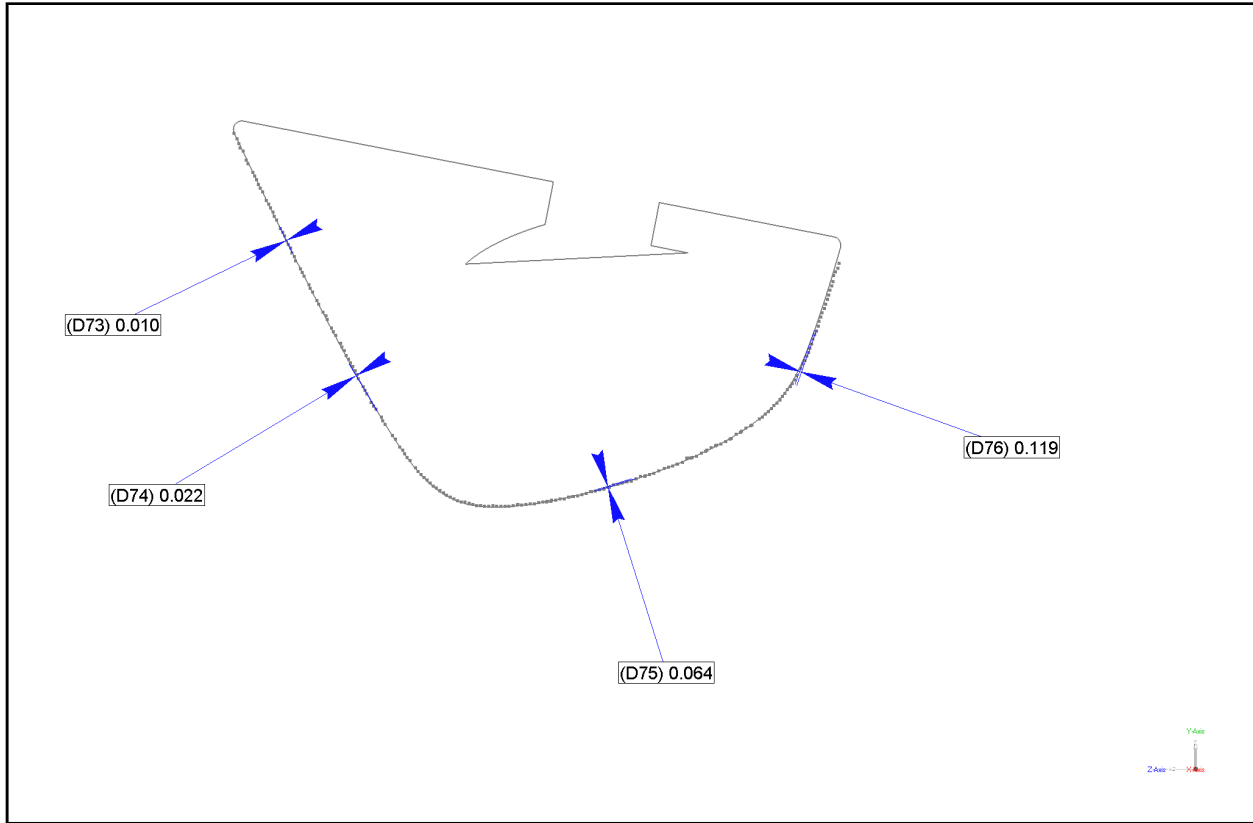


Units: mm

Name	Measured	Nominal	Deviation	Tolerance +	Tolerance -
D69	0.018	0.018			
D70	0.009	0.008			
D71	0.034	0.034			
D72	0.122	0.002			



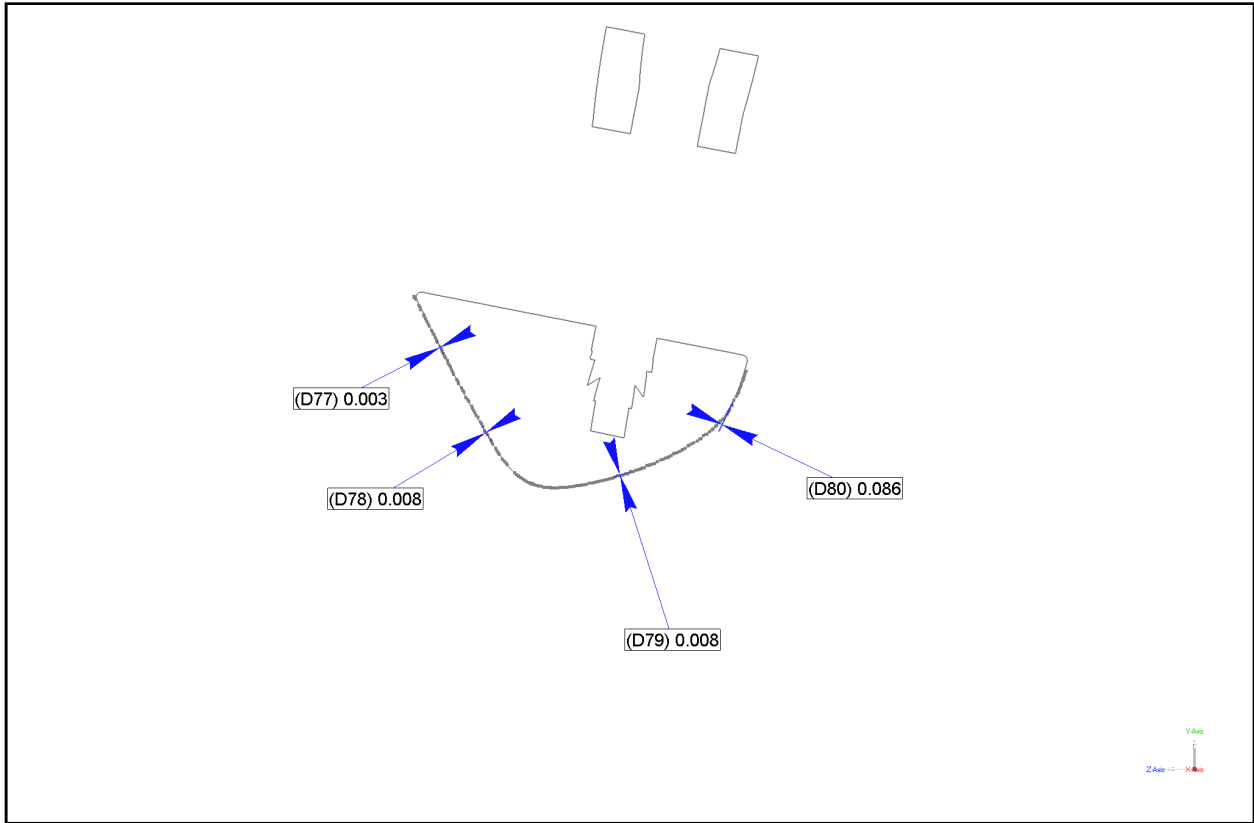
Dimension 2D: yz--1525mm



Units: mm

Name	Measured	Nominal	Deviation	Tolerance +	Tolerance -
D73	0.010	0.010			
D74	0.022	0.014			
D75	0.064	0.064			
D76	0.119	0.010			

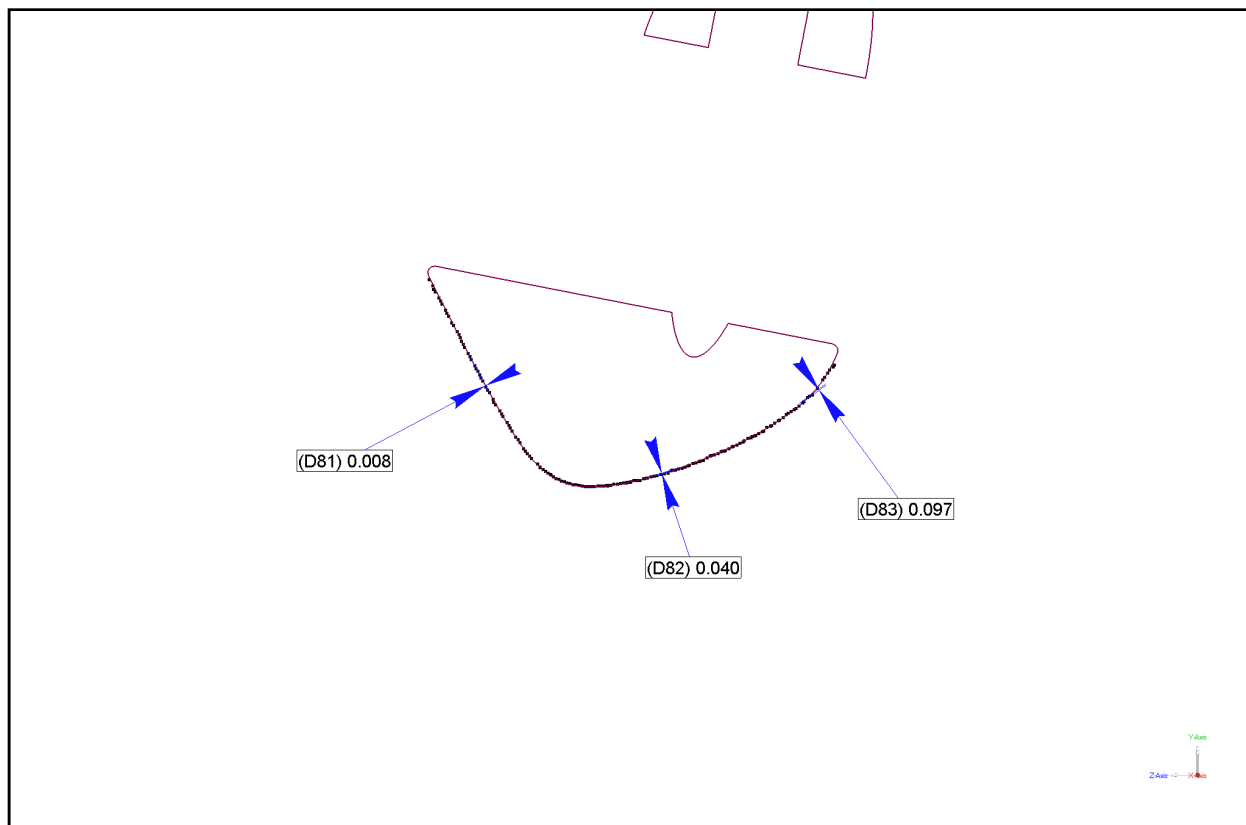
**Dimension 2D: yz--1520mm**



Units: mm

Name	Measured	Nominal	Deviation	Tolerance +	Tolerance -
D77	0.003	0.003			
D78	0.008	0.004			
D79	0.008	0.008			
D80	0.086	0.027			

### Dimension 2D: yz--1515mm



Units: mm

Name	Measured	Nominal	Deviation	Tolerance +	Tolerance -
D81	0.008	0.008			
D82	0.040	0.012			
D83	0.097	0.097			